

CIRCUIT: SPDT

BLACK BEZEL

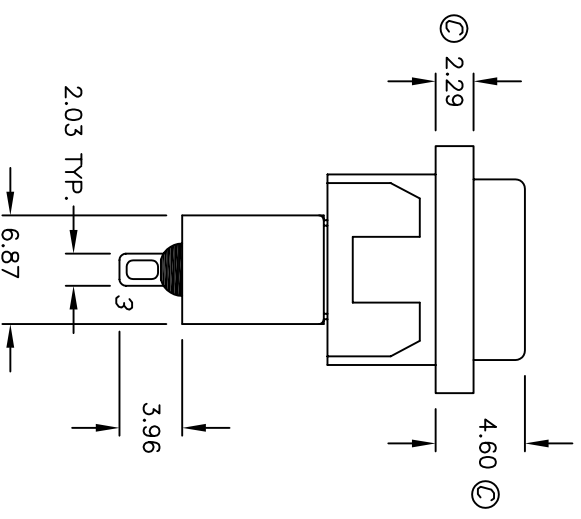
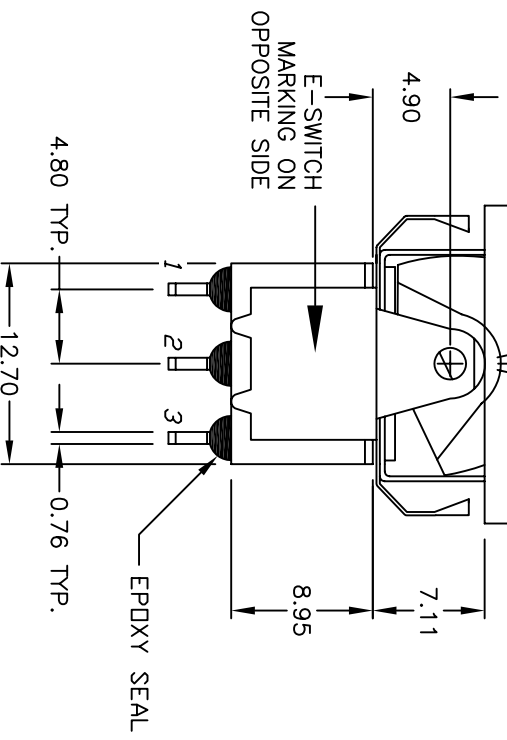
RECOMMENDED PANEL MOUNTING

PANEL THICKNESS

1.52 TO 3.18

* DIMENSION IS 15.75/15.88 FOR PANEL THICKNESS BETWEEN 1.52mm TO 3.18mm

SWITCH FUNCTION			
PDS. 1	PDS. 2	PDS. 3	
DN	NONE	DN	
2-3	DOPEN	2-1	



NOTES:

1. ALL DIMENSIONS IN MM
2. GENERAL TOLERANCE: X.X=±0.4
X.XX=±0.25
3. TERM. NOS. FOR REF. ONLY
4. RATING: 0.4VA @20V AC or DC max.
5. MATERIAL: FIXED TERMINAL & MOVING CONTACT
Copper Alloy w/GOLD plate over Nickel plate.
6. CONTACT RESISTANCE: 10mILLI Ohms max initial
@2-4VDC, 100mA for AG & AU
7. ELECTRICAL LIFE: 50,000 make-and-break cycles at full load.
8. INSULATION RESISTANCE: 1,000M ohm min.
9. DIELECTRIC STRENGTH: 1000V RMS @sea level
10. OPERATING TEMP.: -30°C to 85°C
11. 2002/95/EC (ROHS) COMPLIANT

E-SWITCH®

REV.	ECN NO.	DESCRIPTION	DATE	CHKD
C	15900	CHANGES NOTED	3/27/06	PH
B	12202	REVISED AND REDRAWN	5/31/02	CB

SCALE	DATE	DR	DWG	REV
2:1	5/31/02	CB	T311000	C

THE INFORMATION CONTAINED IN THIS DOCUMENT IS PROPRIETARY TO E-SWITCH AND IS NOT TO BE COPIED OR TRANSFERRED

300 SP-1 R6 BLK M1 R E BLK