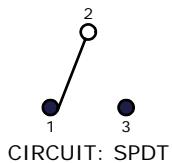
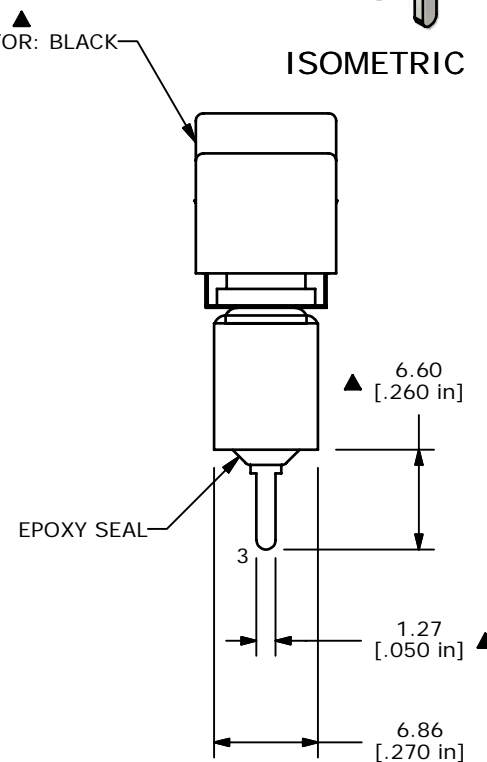
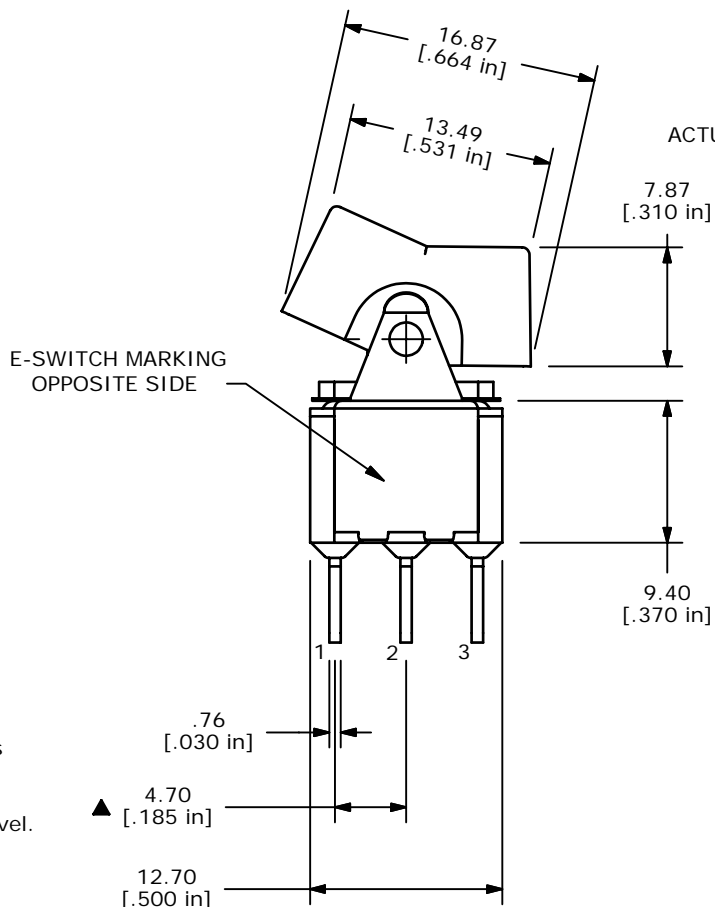


SWITCH FUNCTION		
POS. 1	POS. 2	POS. 3
ON	NONE	(ON)
2-3	N/A	2-1

MOMENTARY=(ON)



- NOTES:
- ALL DIMENSIONS IN MM [INCH]
 - GENERAL TOLERANCE: X.X=±0.4
X.XX=±0.25
 - TERMINAL NUMBERS FOR REF ONLY
 - ▲ PLATING MATERIAL: SILVER
 - RATING: 2A @250VAC
5A @120VAC OR 28VDC
 - ELECTRIC LIFE: 40,000 make-and-break cycles at full load.
 - INSULATION RESISTANCE: 1,000 MΩ min.
 - DIELECTRIC STRENGTH: 1,000 V RMS @sea level.
 - OPERATING TEMP.: -30°C to 85°C
 - ▲ DENOTES CRITICAL PARAMETER.
 - 2002/95/EC (ROHS) COMPLIANT



B	17433	REVISED AND REDRAWN	7/3/07	TN
REV	PCR NO	DESCRIPTION	DATE	BY

TITLE 300SP2J1BLKM2QE				
SCALE 2:1	DATE 7/3/2007	DR TN	DWG T312009	REV B

THE INFORMATION CONTAINED IN THIS DOCUMENT IS PROPRIETARY TO E-SWITCH AND IS NOT TO BE COPIED OR TRANSFERRED