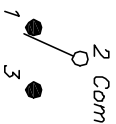


RECOMMENDED PCB LAYOUT

NOT TO SCALE



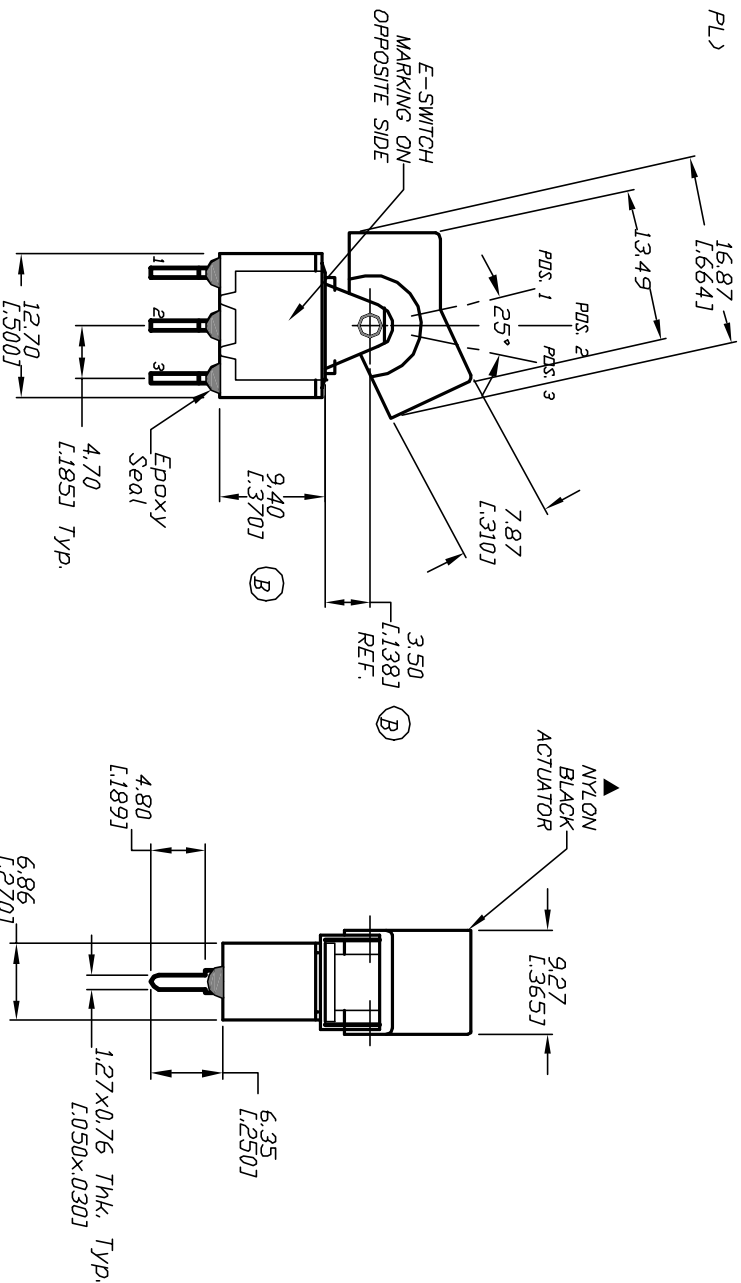
CIRCUIT: SPST

SWITCH FUNCTION		
PDS: 1	PDS: 2	PDS: 3
DN	NONE	<DN>
2-3	OPEN	2-1

() =Momentary

NOTES:

1. ALL DIMENSIONS IN MM [INCH]
2. GENERAL TOLERANCE: X.X=±0.4
X.XX=±0.25
3. TERM. NOS. FOR REF. ONLY
4. RATING: 0.4VA @20V AC or DC max.
5. MATERIAL: FIXED TERMINAL & MOVING CONTACT
Copper Alloy w/Gold Plate over
Nickel plate.
6. CONTACT RESISTANCE: 10mILLI Ohms max initial
@2-4VDC, 100mA for AG & AU
7. ELECTRICAL LIFE: 50,000 make-and-break
cycles at full load.
8. INSULATION RESISTANCE: 1,000M ohm min.
9. DIELECTRIC STRENGTH: 1000V RMS @sea level
10. OPERATING TEMP.: -30°C to 85°C



E-SWITCH®

REV.	ECN NO.	REV DECR, DIM, ADD MATERIAL	DESCRIPTION	DATE	CHKD
B	12359	REV DECR, DIM, ADD MATERIAL		8/8/02	CB

TITLE	SCALE	DATE	DR	DWG	REV
300 SP-2 J1 (BLK) M2 R E (GOLD CONTACTS)	1.5:1	10/6/99	MM	T312007	B

THE INFORMATION CONTAINED IN THIS DOCUMENT IS PROPRIETARY TO E-SWITCH AND IS NOT TO BE COPIED OR TRANSMITTED