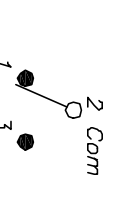


PANEL THICKNESS  
1.52 TO 3.18

\* DIMENSION IS 15.75/15.88  
FOR PANEL THICKNESS BETWEEN  
1.52mm TO 3.18mm

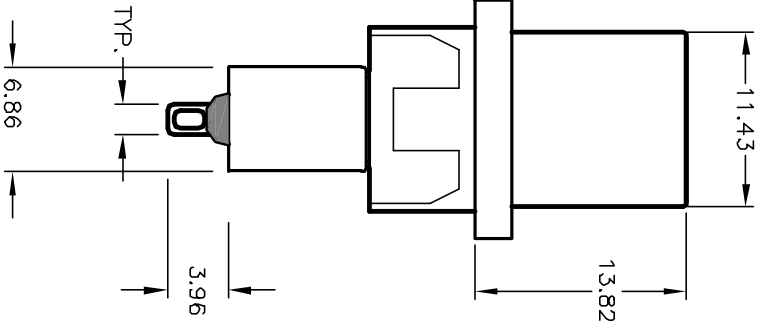
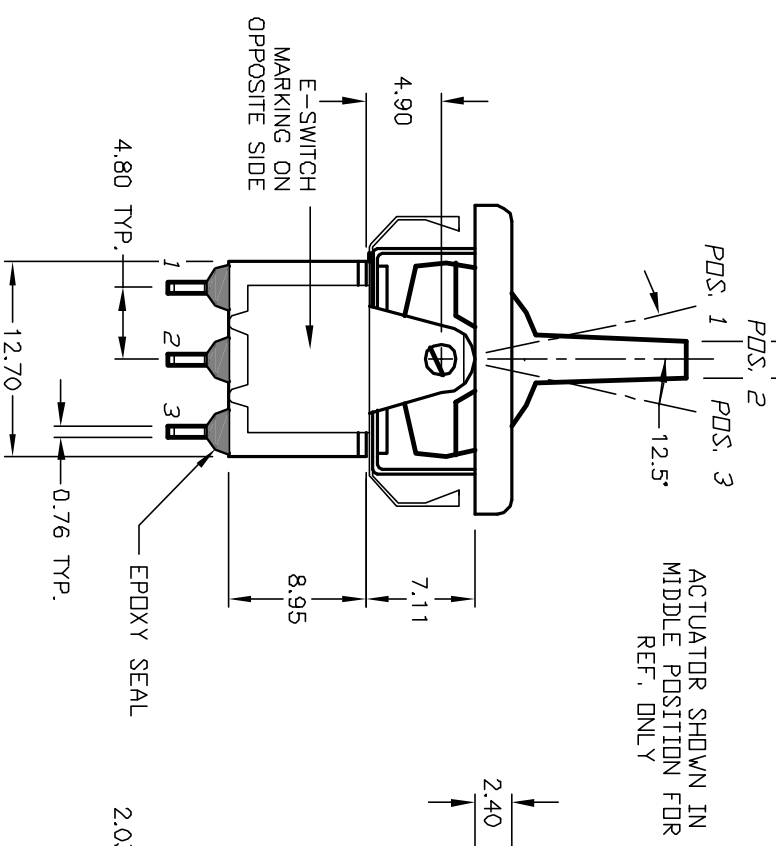
ACTUATOR SHOWN IN  
MIDDLE POSITION FOR  
REF. ONLY



CIRCUIT: SPDT

SWITCH FUNCTION			
POS. 1	POS. 2	POS. 3	
DN	NONE	DN	(DN)
2-3	DPEN	2-1	

( ) = DIMMENTARY



- NOTES:
1. ALL DIMENSIONS IN MM
  2. GENERAL TOLERANCE: X.X=±0.4 X.XX=±0.25
  3. TERM. NOS. FOR REF. ONLY
  4. RATING: 5A @120VAC OR 2BVDC 2A @250VAC
  5. MATERIAL: FIXED TERMINAL & MOVING CONTACT  
Copper Alloy w/Silver Plate
  6. CONTACT RESISTANCE: 10mILLI Ohms max initial @2-4VDC, 100mA for AG & AU
  7. ELECTRICAL LIFE: 50,000 make-and-break cycles at full load.
  8. INSULATION RESISTANCE: 1,000M Ohm min.
  9. DIELECTRIC STRENGTH: 1000V RMS @sea level
  10. OPERATING TEMP.: -30°C to 85°C

**E-SWITCH®**

REV.	ECN No.	DESCRIPTION	DATE	CHKD	SCALE	DATE	DR	DWG	REV
A	12263	RELEASED FOR PRODUCTION	6/25/02	CB	2:1	6/25/02	CB	T312016	A
TITLE: 300 SP-2 R7 BLK M1 Q E BLK									
THE INFORMATION CONTAINED IN THIS DOCUMENT IS PROPRIETARY TO E-SWITCH AND IS NOT TO BE COPIED OR TRANSFERRED									