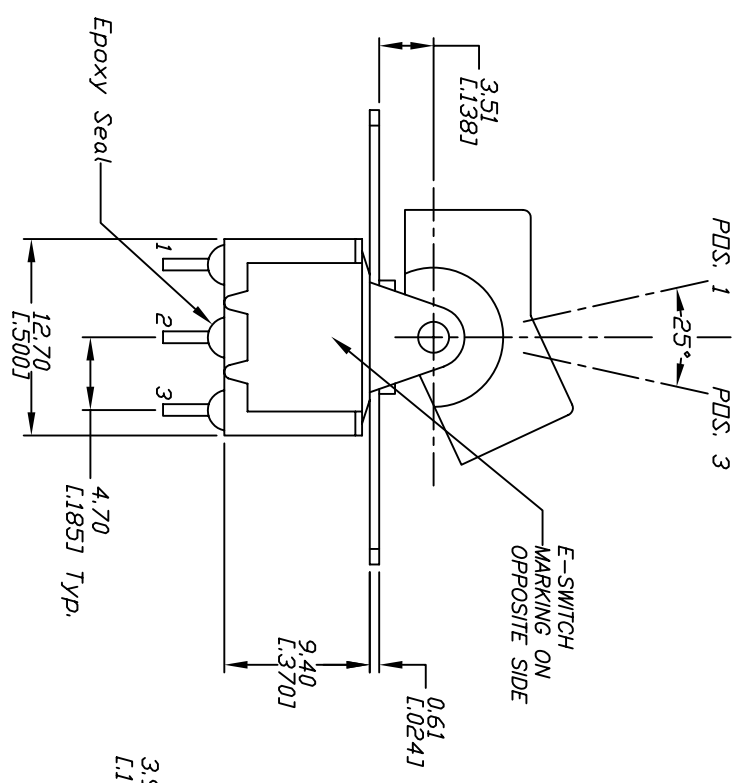
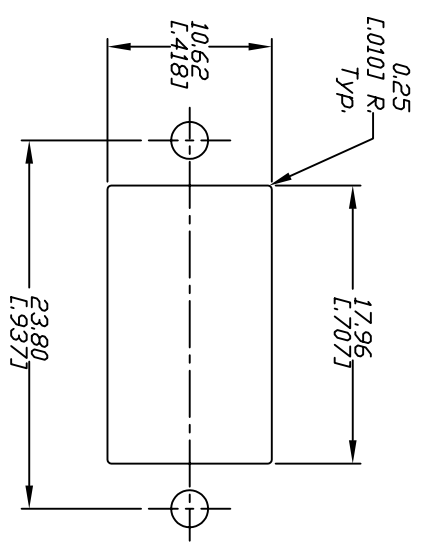


PDS. 2

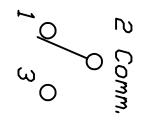
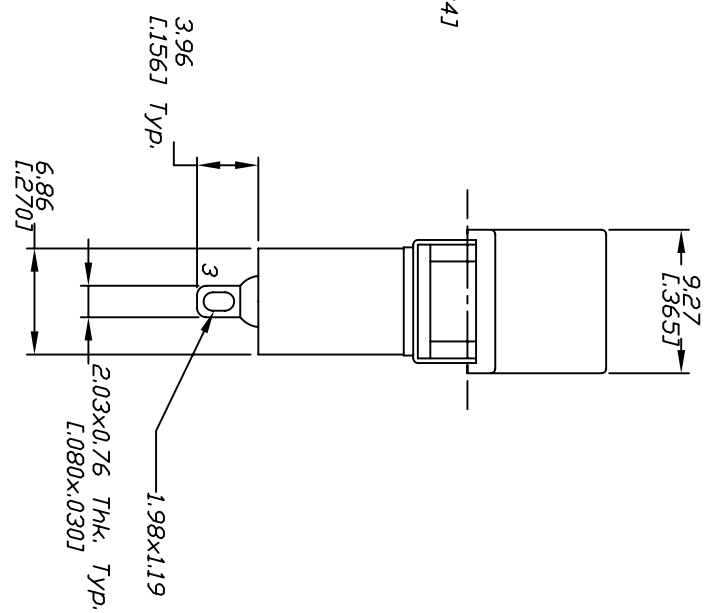


NOTES:

1. ALL DIMENSIONS IN MM [INCH]
2. GENERAL TOLERANCE: 0.0=±0.4
0.00=±0.25
3. TERM. NOS. FOR REF. ONLY
4. CONTACT RATING: 5 Amps @120VAC or 28VDC;
2 Amps @250VAC.



RECOMMEND PANEL MOUNTING



CIRCUIT: SPDT
CONTACT CONFIGURATION

SWITCH FUNCTION			
PDS. 1	PDS. 2	PDS. 3	
DN	OFF	DN	
2-3	OPEN	2-1	

REV.	ECN No.	DESCRIPTION	DATE	CHKD
A	10475	RELEASED FOR PRODUCTION		

TITLE		SCALE	DATE	DR	DWG	REV
300 SP-3 R1 M1 Q E		2:1	12/21/99	MM	T311019	A

E-SWITCH®

THE INFORMATION CONTAINED IN THIS DOCUMENT IS PROPRIETARY TO E-SWITCH AND IS NOT TO BE COPIED OR TRANSMITTED