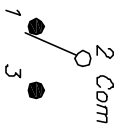


RECOMMENDED P.C.B. LAYOUT  
NOT TO SCALE

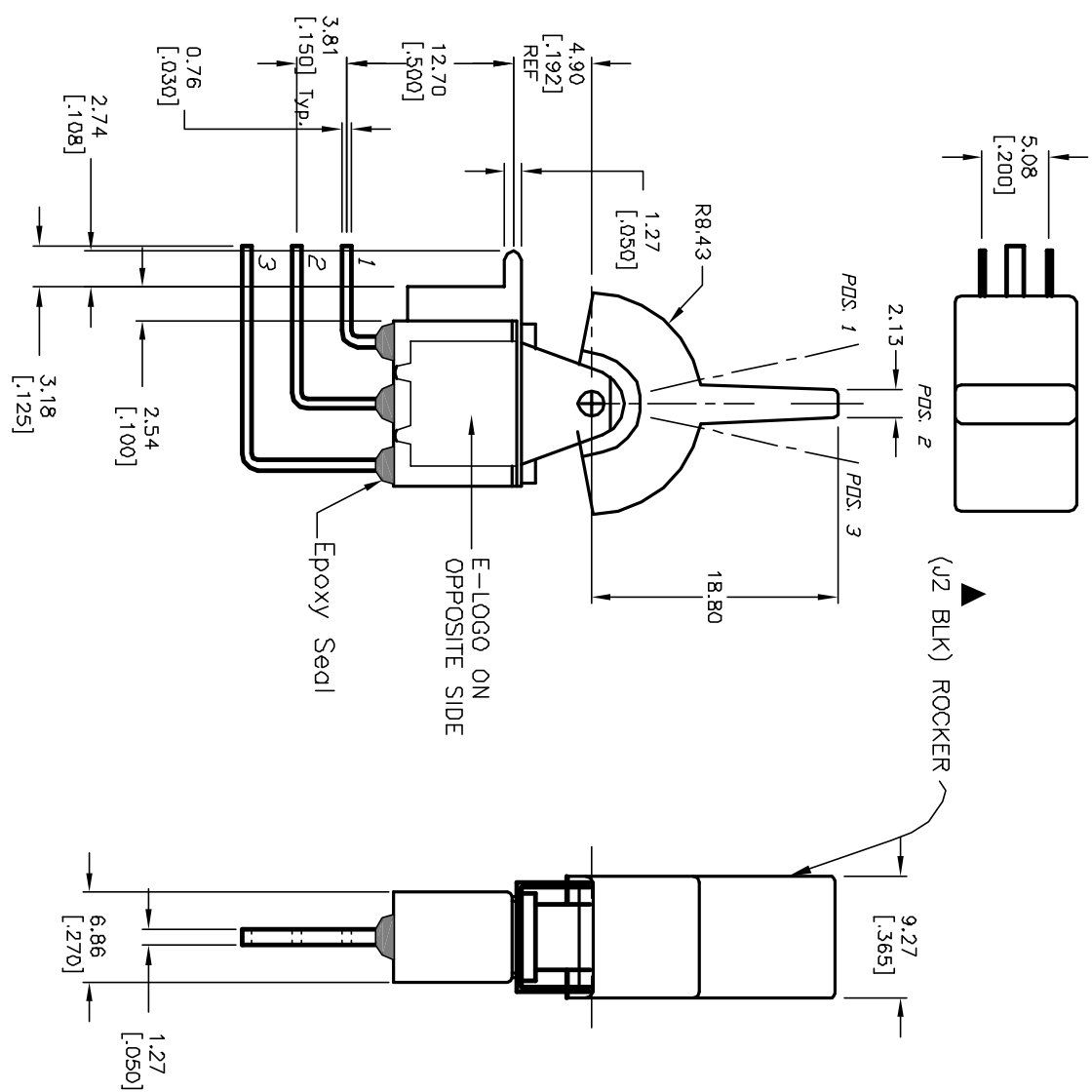


CIRCUIT: SPDT

SWITCH FUNCTION		
PDS. 1	PDS. 2	PDS. 3
(CND)	DEF	(CND)
2-3	OPEN	2-1

( )=MENTORARY

- NOTES:
1. ALL DIMENSIONS IN MM [INCH]
  2. GENERAL TOLERANCE: X.X=±0.4  
X.XX=±0.25
  3. TERM. NOS. FDR REF. ONLY
  4. RATING: 0.4(VA) max. @20V (AC or DC)
  5. MATERIAL: FIXED TERMINAL & MOVING CONTACT  
Copper Alloy w/GOLD plate over  
Nickel plate
  6. CONTACT RESISTANCE: 10mILLI Ohms max initial  
@2-4VDC, 100mA for AG & AU
  7. ELECTRICAL LIFE: 50,000 make-and-break  
cycles at full load.
  8. INSULATION RESISTANCE: 1,000M ohm min.
  9. DIELECTRIC STRENGTH: 1000V RMS @sea level
  10. OPERATING TEMP.: -30°C to 85°C



REV.	ECN No.	DESCRIPTION	DATE	CHKD
A	12866	RELEASED	2/28/03	CJB

TITLE	SCALE	DATE	DR	DWG	REV
300 SP-4 (J2 BLK) M7 RE (GOLD CONTACTS)	2:1	2/28/03	CJB	T314027	A

**E-SWITCH®**

THE INFORMATION CONTAINED IN THIS DOCUMENT IS PROPRIETARY TO E-SWITCH AND IS NOT TO BE COPIED OR TRANSFERRED