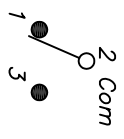


RECOMMENDED P.C.B. LAYOUT

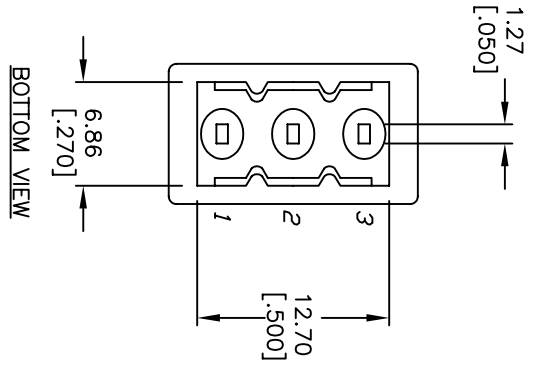
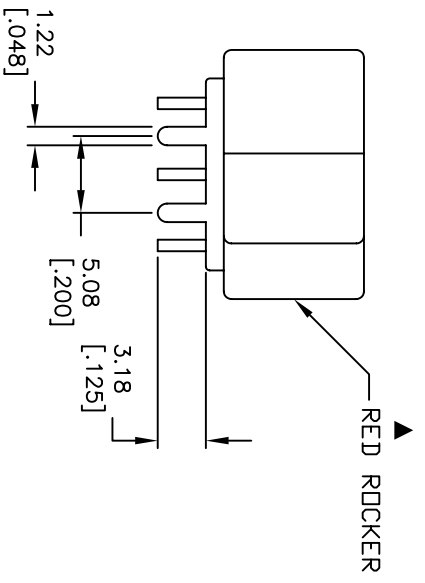


CIRCUIT: SPDT

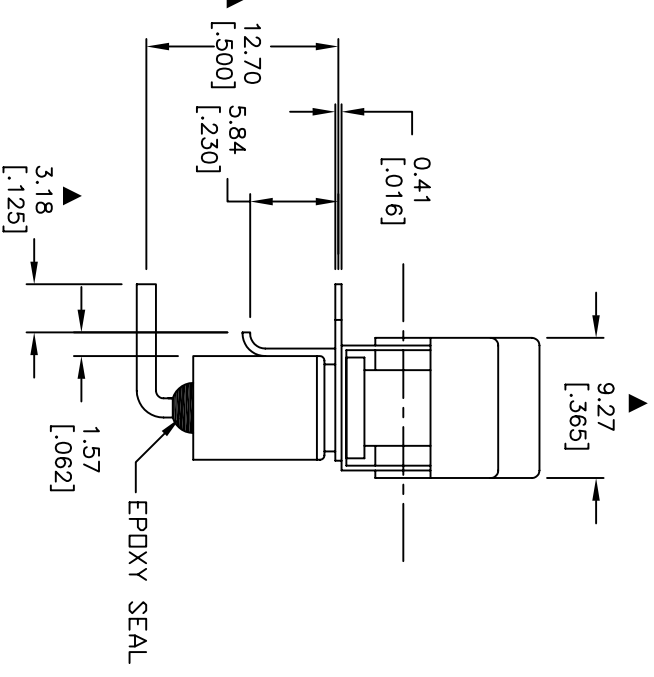
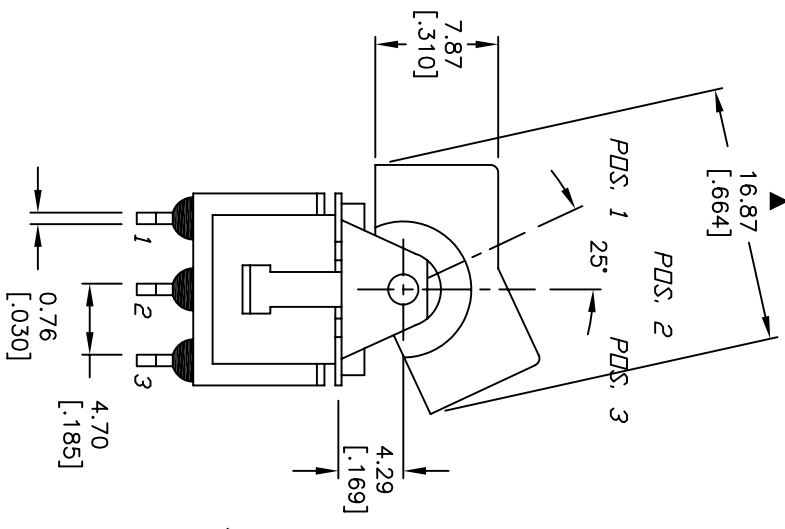
SWITCH FUNCTION		
PDS: 1	PDS: 2	PDS: 3
<DN>	DFF	DN
2-3	OPEN	2-1

<DN> = MOMENTARY

- NOTES:
1. ALL DIMENSIONS IN MM [INCH]
  2. GENERAL TOLERANCE: X.X=±0.4  
X.XX=±0.25
  3. TERM. NOS. FOR REF. ONLY
  4. RATING: 5A @120VAC OR 28VDC  
2A @250VAC
  5. MATERIAL: FIXED TERMINAL & MOVING CONTACT  
Copper Alloy w/Silver Plate
  6. CONTACT RESISTANCE: 10mILLI Ohms max initial  
@2-4VDC, 100mA for AG & AU
  7. ELECTRICAL LIFE: 50,000 mcke-and-break  
cycles at full load.
  8. INSULATION RESISTANCE: 1,000M ohm min.
  9. DIELECTRIC STRENGTH: 1000V RMS @sed level
  10. OPERATING TEMP.: -30°C to 85°C
  11. ▲ DENOTES CRITICAL PARAMETER.
  12. 2002/95/EC (ROHS) COMPLIANT



BOTTOM VIEW



REV.	ECN No.	DESCRIPTION	DATE	CHKD
B	16742	UPDATED SWITCH FUNCTION/NOTE	12/7/06	TN
A	14410	RELEASED FOR PRODUCTION	10/15/04	AR

TITLE		SCALE	DATE	DR	DWG	REV
300SP5JIREDM6QE		2:1	12/7/2006	TN	T315011	B



THE INFORMATION CONTAINED IN THIS DOCUMENT IS PROPRIETARY TO E-SWITCH AND IS NOT TO BE COPIED OR TRANSMITTED