

GENERAL SPECIFICATIONS FOR SW3000s**Electrical Capacity (Resistive & Inductive Load)**

Power Level: Shown in the following tables

Other Ratings

Contact Resistance: 10 milliohms maximum
Insulation Resistance: 200 megohms minimum @ 500V DC for SW3211 & SW3116
1,000 megohms minimum @ 500V DC for SW3001A ~ SW3008A
Dielectric Strength: 1,500V AC minimum for SW3211 & SW3116
2,000V AC minimum for SW3001A ~ 3008A
Mechanical Life: 30,000 operations minimum
Electrical Life: 10,000 operations minimum
Angle of Throw (α): Shown on drawings or following tables

Materials & Finishes

Rocker: Urea resin, phenolic resin, or polycarbonate; all rockers are white.
Mounting Frame: Steel with zinc plating
Case: Phenolic resin
Movable Contactor Plate: Copper with silver plating
Movable & Stationary Contacts: Brass or phosphor bronze with silver plating for SW3116;
silver alloy plus copper with silver plating for all other models
Terminals: Brass or phosphor bronze with silver plating

Environmental Data

Operating Temp Range: -10°C through +70°C (+14°F through +158°F)
Sealing: Dustproof cover of silicone rubber on SW3006A, SW3007A, & SW3008A

Installation

Maximum Panel Thickness: Shown with following drawings
Soldering Time & Temperature: 3 seconds @ 350°C or 5 seconds @ 270°C

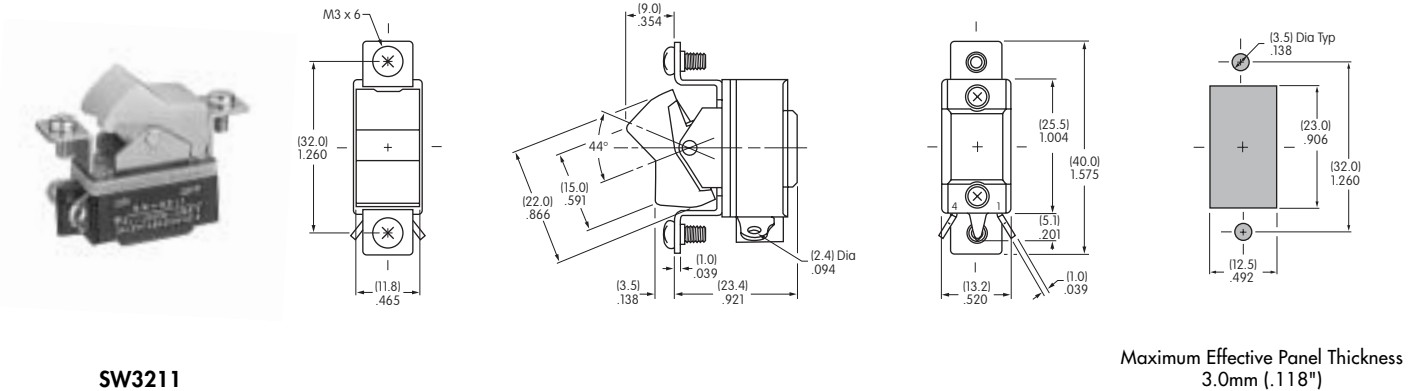
Standards & Certifications

UL Recognized: Designated with UL recognized symbol beside part numbers on following pages
See Supplement Index (page Z1) to find UL rating details. UL File No. E44145
Add "/U" to end of part number to order UL mark on switch.
CSA Certified: Designated with CSA certified symbol beside part numbers on following pages
See Supplement Index (page Z1) to find CSA rating details. File No. LR23535;
Add "/C" to end of part number to order CSA mark on switch.

SINGLE POLE WITH SOLDER LUG

| | | | Rocker Position/Connected Terminals | | | | Electrical Capacity | | | |
|------------------------------------|-----------|------|-------------------------------------|--------|-------|-----------|---|--------|----------------|--|
| Model | Approvals | Pole | Down | Center | Up | Resistive | | | Inductive | |
| | | | | | | AC 125V | AC 250V | DC 30V | AC 125V PF 0.6 | |
| SW3211 | — | SPST | ON 1-4 | NONE | OFF — | 3A | 1.5A | 1.5A | 1.5A | |
| Throw & Schematic: SPST | | | | | | | Note: Terminal numbers are on the switch. | | | |

- Solder lug terminal hole accommodates one 12-gauge solid or stranded wire.

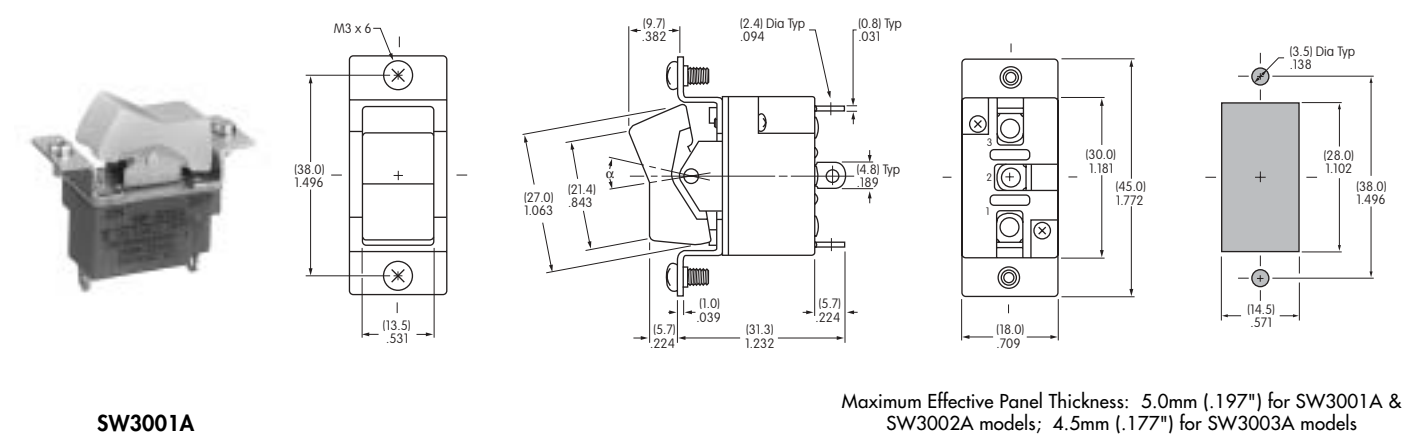


SW3211

SINGLE POLE WITH SOLDER LUG

| | | | Rocker Position/Connected Terminals | | | | Electrical Capacity | | | | α = Angle of Throw |
|---|-----------|------|-------------------------------------|--------|--------|-----------|---|--------|----------------|-----|--------------------|
| Model | Approvals | Pole | Down | Center | Up | Resistive | | | Inductive | | |
| | | | | | | AC 125V | AC 250V | DC 30V | AC 125V PF 0.6 | | |
| SW3001A | | SPST | ON 1-3 | NONE | OFF — | 15A | 6A | 15A | 10A | 24° | |
| SW3002A | | SPDT | ON 2-3 | NONE | ON 2-1 | 15A | 6A | 15A | 10A | 24° | |
| SW3003A | | SPDT | ON 2-3 | OFF | ON 2-1 | 15A | 6A | 15A | 10A | 28° | |
| Throw & Schematics: SPST INTERNAL CONNECTION SPDT | | | | | | | Note: Terminal numbers are on the switch. | | | | |

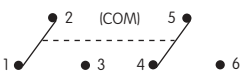
- Solder lug terminal hole accommodates one 12-gauge solid or stranded wire.



SW3001A

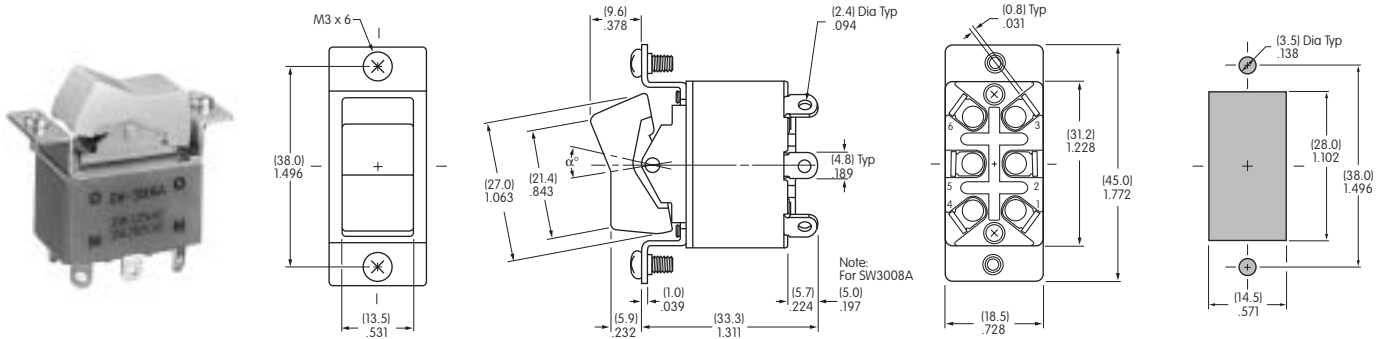
DOUBLE POLE WITH SOLDER LUG

| Model | Approvals | Pole | Rocker Position/Connected Terminals | | | Electrical Capacity | | | | α = Angle of Throw |
|---------|-----------|------|-------------------------------------|--------|-----|---------------------|---------|--------|--------------------------------|--------------------|
| | | | Down | Center | Up | Resistive | | | Inductive AC 125V PF 0.6 | |
| | | | | | | AC 125V | AC 250V | DC 30V | | |
| SW3006A | FA | DPDT | ON | NONE | ON | 20A | 10A | 20A | 10A | 24° |
| SW3007A | — | DPDT | ON | OFF | ON | 15A | 6A | 15A | 10A | 28° |
| SW3008A | — | DPDT | MOM | OFF | MOM | 15A | 6A | 15A | 10A | 24° |

Throw & Schematic: DPDT 

Note: Terminal numbers are on the switch.

- Solder lug terminal hole accommodates one 12-gauge solid or stranded wire.

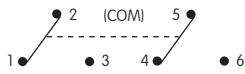


SW3006A

Maximum Effective Panel Thickness: 5.0mm (.197") for SW3006A & SW3008A models; 4.5mm (.177") for SW3007A models

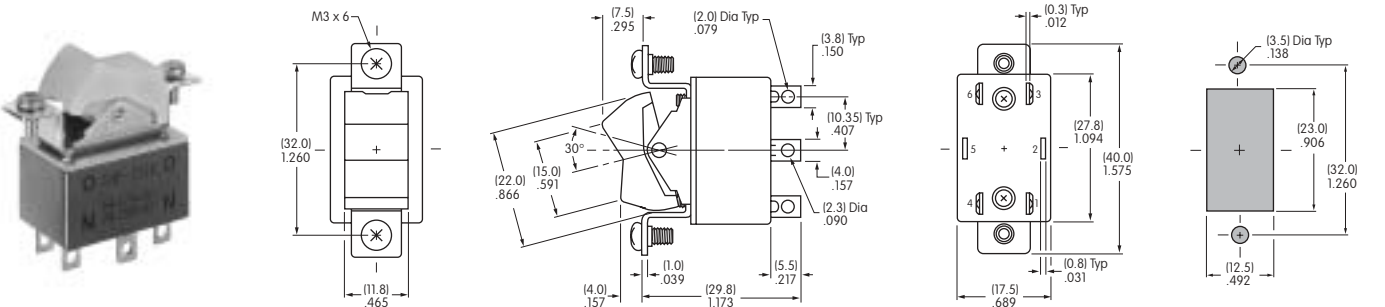
DOUBLE POLE WITH SOLDER LUG

| Model | Approvals | Pole | Rocker Position/Connected Terminals | | | Electrical Capacity | | | |
|--------|-----------|------|-------------------------------------|--------|----|---------------------|---------|--------|--------------------------------|
| | | | Down | Center | Up | Resistive | | | Inductive AC 125V PF 0.6 |
| | | | | | | AC 125V | AC 250V | DC 30V | |
| SW3116 | — | DPDT | ON | NONE | ON | 5A | 2A | 5A | 3A |

Throw & Schematic: DPDT 

Note: Terminal numbers are on the switch.

- Solder lug terminal hole accommodates one 14-gauge solid or stranded wire.



SW3116

Maximum Effective Panel Thickness 3.0mm (.118")