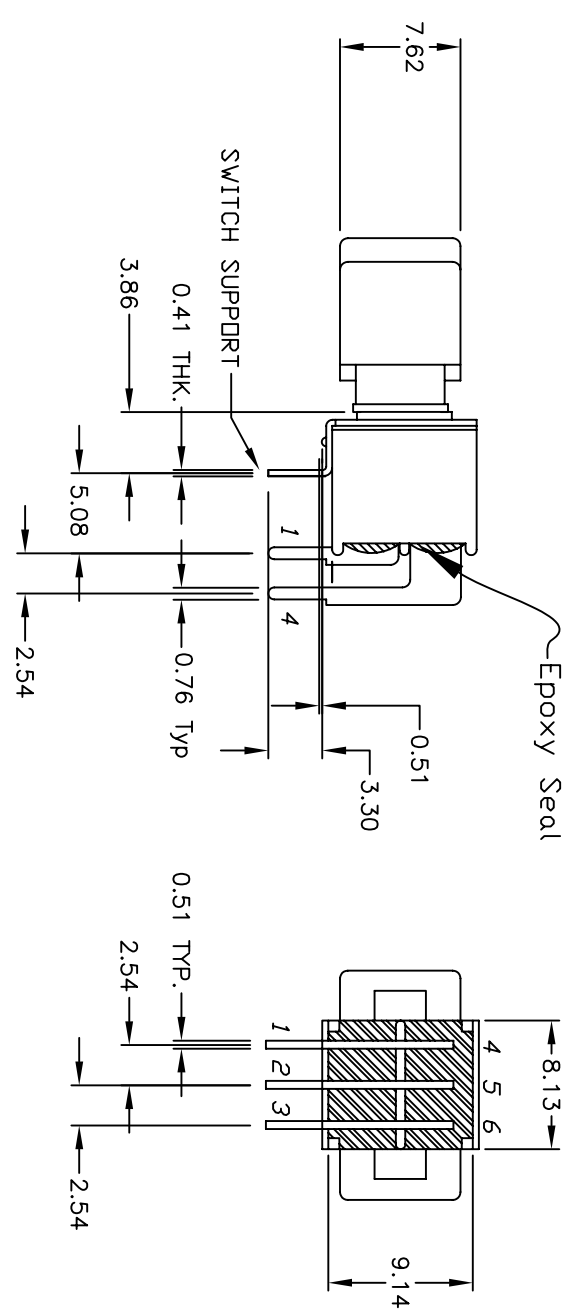
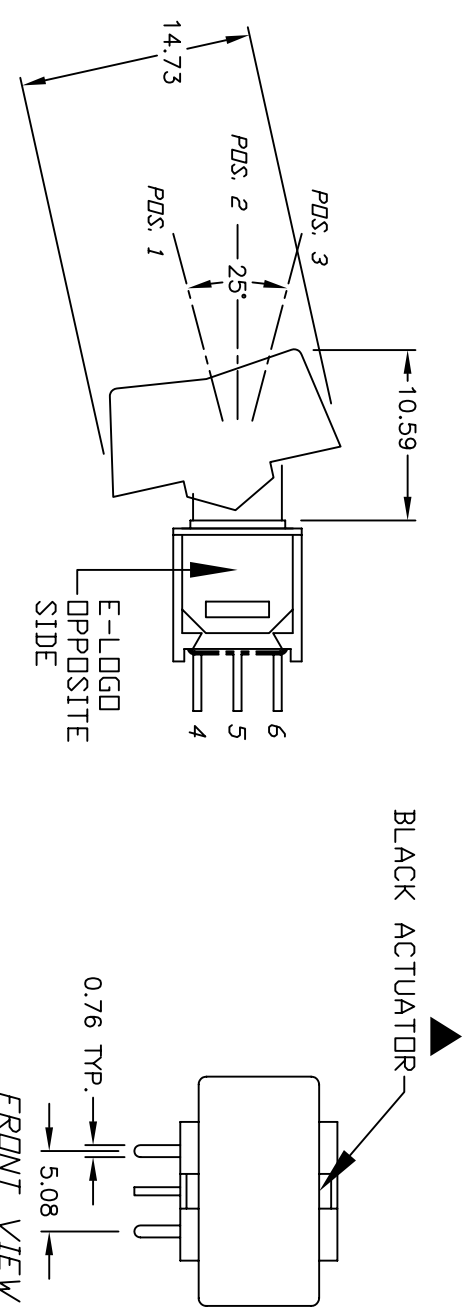


SWITCH FUNCTION			
PDS. 1	PDS. 2	PDS. 3	
2-3,5-6	DPEN	2-1,5-4	

- NOTES:
1. ALL DIMENSIONS IN MM
  2. GENERAL TOLERANCE: X.X=±0.4  
X.XX=±0.25
  3. TERM. NOS. FOR REF. ONLY
  4. CONTACT RATING: 3A@ 120VAC. OR 28VDC:  
1A@ 250VAC.
  5. FIXED TERMINAL & MOVING CONTACT:  
COPPER ALLOY w/ Silver plate
  6. ELECTRIC LIFE: 30,000 make-and-break cycles  
at full load.
  7. INSULATION RESISTANCE: 1,000 M ohm min.
  8. DIELECTRIC STRENGTH: 1,000 V RMS @sea level.
  9. OPERATING TEMP.: -30°C to +85°C
  10. 2002/95/EC (ROHS) COMPLIANT



C	17449	REMOVED MARKING ON ACTUATOR	7/9/07	TN
B	12341	REVISED AND REDRAWN	8/2/02	CJB
REV.	ECN No.	DESCRIPTION	DATE	CHKD

TITLE		SCALE		DATE	DR	DWG	REV
400MDP1R1BLKM6QE		2:1		7/9/07	TN	T421003	C



THE INFORMATION CONTAINED IN THIS DOCUMENT IS PROPRIETARY TO E-SWITCH AND IS NOT TO BE COPIED OR TRANSFERRED