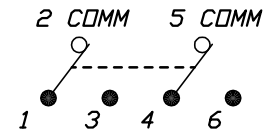


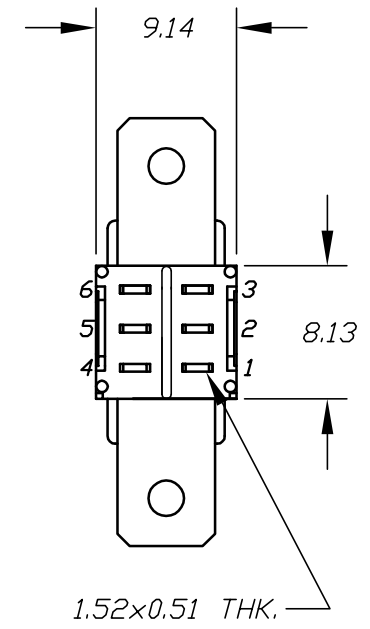
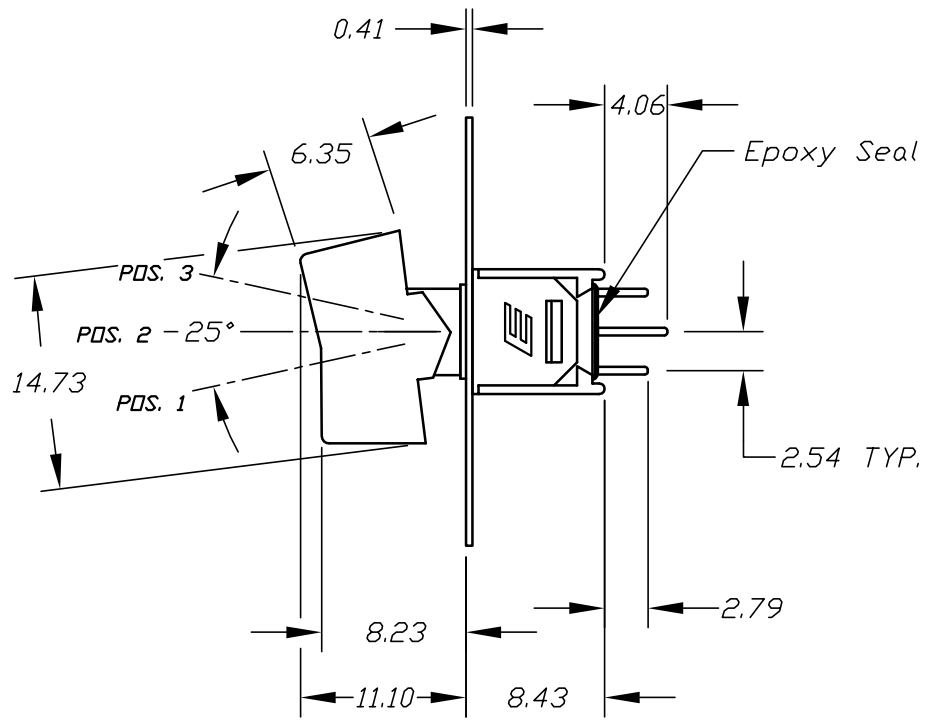
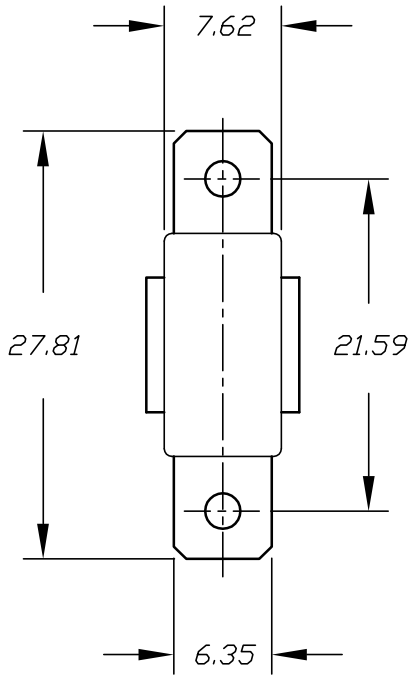
RECOMMEND PANEL MOUNTING



CIRCUIT: DPDT

CONTACT CONFIGURATION

SWITCH FUNCTION		
PDS. 1	PDS. 2	PDS. 3
ON	NONE	ON
2-3,5-6	OPEN	2-1,5-4



NOTES:

1. ALL DIMENSIONS IN MM
2. TERM. NOS. FOR REF ONLY
3. RATING: 3 Amps @120 VAC or 28 VDC; 1 Amp @250 VAC.

REV.	DESCRIPTION	DATE	CHKD
B	REVISED & REDRAWN		

TOLERANCES	±0.4	±0.25
	0.0	0.00

**E-SWITCH®**

TITLE: 400 MDP-1 R1 M1 Q E

SCALE: 2:1	DATE: 2/14/97	DR: MM	DWG: T421006	REV: B
------------	---------------	--------	--------------	--------

THE INFORMATION CONTAINED IN THIS DOCUMENT IS PROPRIETARY TO E-SWITCH AND IS NOT TO BE COPIED OR TRANSFERRED