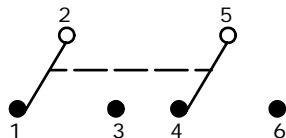


ISOMETRIC

| SWITCH FUNCTION | | |
|-----------------|--------|----------|
| POS. 1 | POS. 2 | POS. 3 |
| | | |
| ON | NONE | ON |
| 2-3, 5-6 | OPEN | 2-1, 5-4 |

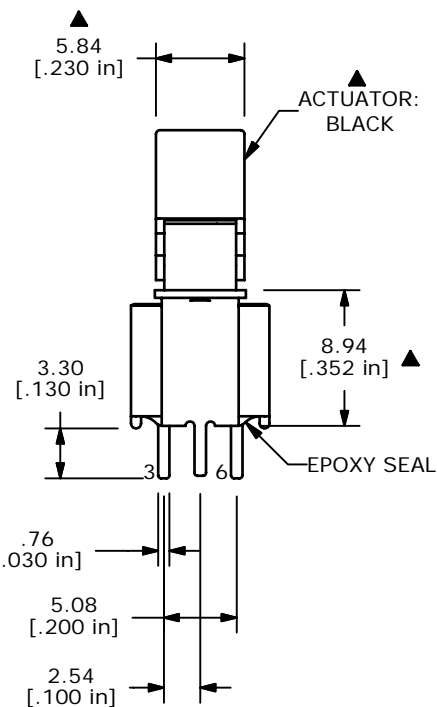
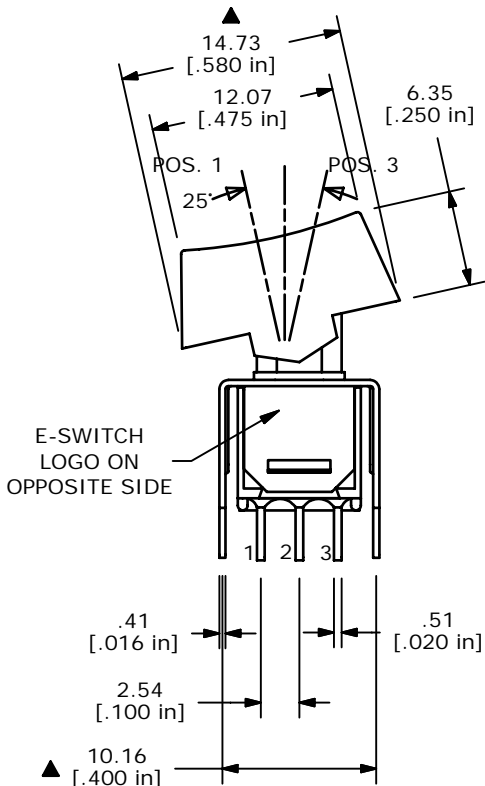
(ON)=MOMENTARY



CIRCUIT: DPDT

NOTE:

- ALL DIMENSIONS IN MM [INCH]
- GENERAL TOLERANCE: X.X=±0.4
X.XX=±0.25
- TERMINAL NUMBERS FOR REF ONLY
- ▲ PLATING MATERIAL: GOLD
- RATING: 0.4VA@20VAC OR DC
- ELECTRIC LIFE: 30,000 MAKE-AND-BREAK CYCLES AT FULL LOAD.
- INSULATION RESISTANCE: 1,000 MEGA-OHM MIN.
- DIELECTRIC STRENGTH: 1,000 V RMS @SEA LEVEL.
- OPERATING TEMP.: -30°C to 85°C
- ▲ DENOTES CRITICAL PARAMETER.
- PACKAGE: TRAY/63 PIECES PER
- 2002/95/EC (ROHS) COMPLIANT



E-SWITCH®

TITLE 400MDP1R6BLKVS2RE

| | | | | |
|-----|--------|-------------------------|--------|----|
| A | 16951 | RELEASED FOR PRODUCTION | 2/1/07 | TN |
| REV | PCR NO | DESCRIPTION | DATE | BY |

THE INFORMATION CONTAINED IN THIS DOCUMENT IS PROPRIETARY TO E-SWITCH AND IS NOT TO BE COPIED OR TRANSFERRED

| | | | | |
|-------|----------|----|---------|-----|
| SCALE | DATE | DR | DWG | REV |
| 2:1 | 2/1/2007 | TN | T408003 | A |