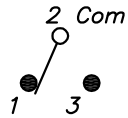
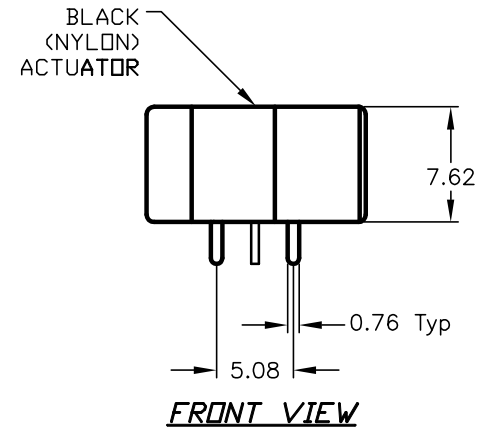
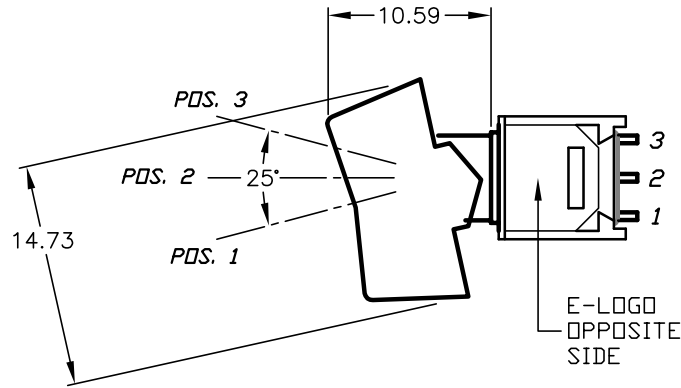


RECOMMENDED P.C.B LAYOUT



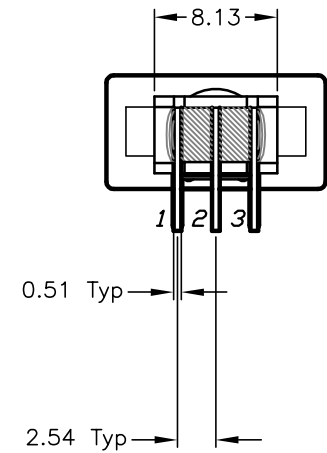
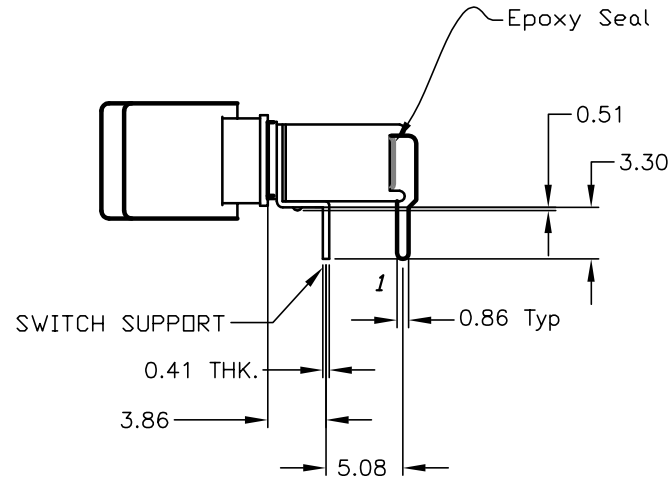
CIRCUIT: SPDT

SWITCH FUNCTION		
POS. 1	POS. 2	POS. 3
ON	NONE	ON
2-3	OPEN	2-1



NOTES:

- ALL DIMENSIONS IN MM
- GENERAL TOLERANCE: X.X=±0.4
X.XX=±0.25
- TERM. NOS. FOR REF. ONLY
- CONTACT RATING: 3A @120V AC or 28VDC;
1A @250V AC
- ▲ 5. FIXED TERMINAL & MOVING CONTACT:
SILVER PLATED COPPER ALLOY
- ELECTRIC LIFE: 30,000 make-and-break cycles
at full load.
- INSULATION RESISTANCE: 1,000 M ohm min.
- DIELECTRIC STRENGTH: 1,000 V RMS @sea level.
- OPERATING TEMP.: -30°C to +85°C
- ▲ DENOTES CRITICAL PARAMETER.



E-SWITCH®

TITLE					400MSP1R1BLKM6QE				
SCALE	DATE	DR	DWG	REV					
2:1	4/20/04	AR	T411105	A					

A	13943	RELEASED FOR PRODUCTION	4/20/04	AR
REV.	ECN No.	DESCRIPTION	DATE	CHKD

THE INFORMATION CONTAINED IN THIS DOCUMENT IS PROPRIETARY TO E-SWITCH AND IS NOT TO BE COPIED OR TRANSFERRED