

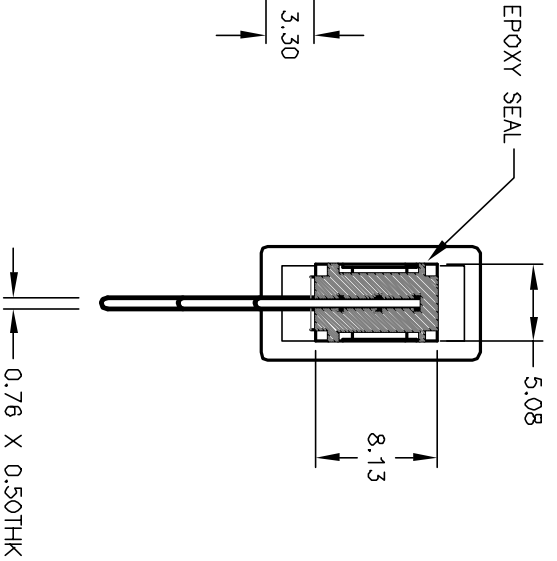
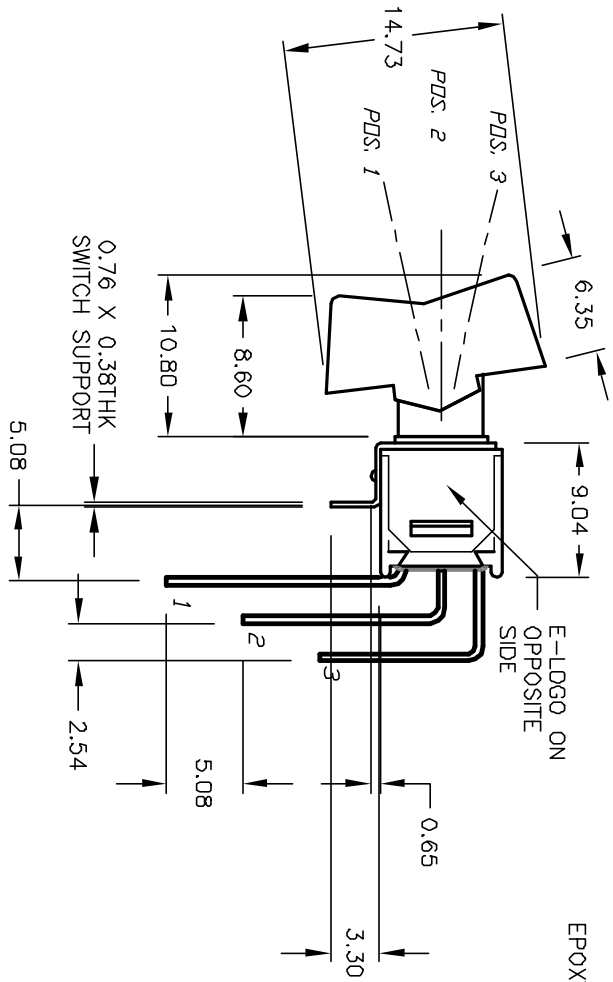
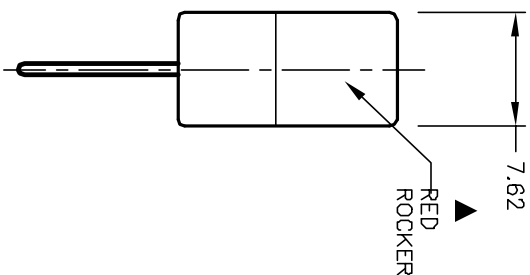
CIRCUIT: SPDT  
CONTACT CONFIGURATION

RECOMMENDED P.C.B. LAYOUT

SWITCH FUNCTION		
PDS. 1	PDS. 2	PDS. 3
DN	DF-F	DN
2-3	OPEN	2-1

NOTES:

1. ALL DIMENSIONS IN MM
2. GENERAL TOLERANCE: X.X=±0.4  
X.XX=±0.25
3. TERM. NOS. FOR REF. ONLY
4. RATING: 3A @120VAC, OR 28VDC  
1A @250VAC
5. FIXED TERMINAL/MOVING CONTACT MATERIAL:  
COPPER ALLOY w/SILVER PLATING
6. ELECTRIC LIFE: 30,000 make-and-break cycles  
at full load.
7. INSULATION RESISTANCE: 1,000 M ohm min.
8. DIELECTRIC STRENGTH: 1,000 V RMS @sea level.
9. OPERATING TEMP. -30°C to +85°C
10. ▲ DESIGNATE MAJOR FEATURE



**E-SWITCH®**

400 MSP-3 R1 (RED) M7 QE

REV.	ECN NO.	DESCRIPTION	DATE	CHKD
B	12275	REVISED AND REDRAWN	6/27/02	CJB

TITLE	SCALE	DATE	DR	DWG	REV
400 MSP-3 R1 (RED) M7 QE	2:1	6/27/02	CJB	T412003	B

THE INFORMATION CONTAINED IN THIS DOCUMENT IS PROPRIETARY TO E-SWITCH AND IS NOT TO BE COPIED OR TRANSMITTED