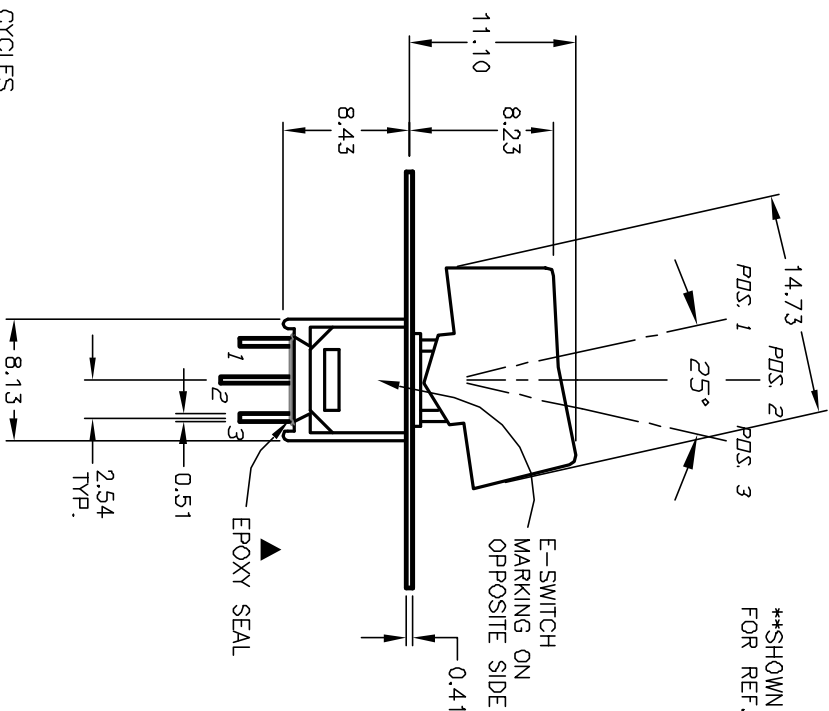


SWITCH FUNCTION		
POS. 1	POS. 2	POS. 3
(DN)	OFF	(DN)
2-3	OPEN	2-1

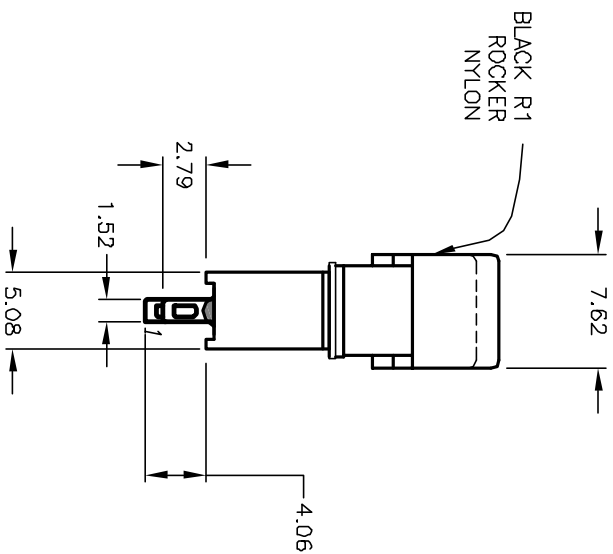
( )=Momentary

NOTES:

1. ALL DIMENSIONS IN MM
2. GENERAL TOLERANCE: X.X=±0.4  
X.XX=±0.25
3. TERM. NOS. FOR REF. ONLY
4. RATING: 3A @120V AC or 28VDC;  
1A @250V AC
5. FIXED TERMINAL/MOVING CONTACT:  
COPPER ALLOY W/Silver plate  
COPPER ALLOY W/Silver plate  
AT FULL LOAD.
6. ELECTRICAL LIFE: 30,000 MAKE-AND-BREAK CYCLES
7. INSULATION RESISTANCE: 1000M OHM TYPICAL
8. DIELECTRIC STRENGTH: 1,000 V RMS @SEA LEVEL
9. OPERATING TEMP.: -30°C to 85°C



\*\*SHOWN ACTUATED FOR REF. ONLY



**E-SWITCH®**

400 MSP-4 R1 (BLK) M1 QE

REV.	ECN NO.	DESCRIPTION	DATE	CHKD
A	12367	RELEASED	11/11/02	CB

TITLE	SCALE	DATE	DR	DWG	REV
400 MSP-4 R1 (BLK) M1 QE	2:1	8/14/02	CB	T414008	A

THE INFORMATION CONTAINED IN THIS DOCUMENT IS PROPRIETARY TO E-SWITCH AND IS NOT TO BE COPIED OR TRANSMITTED