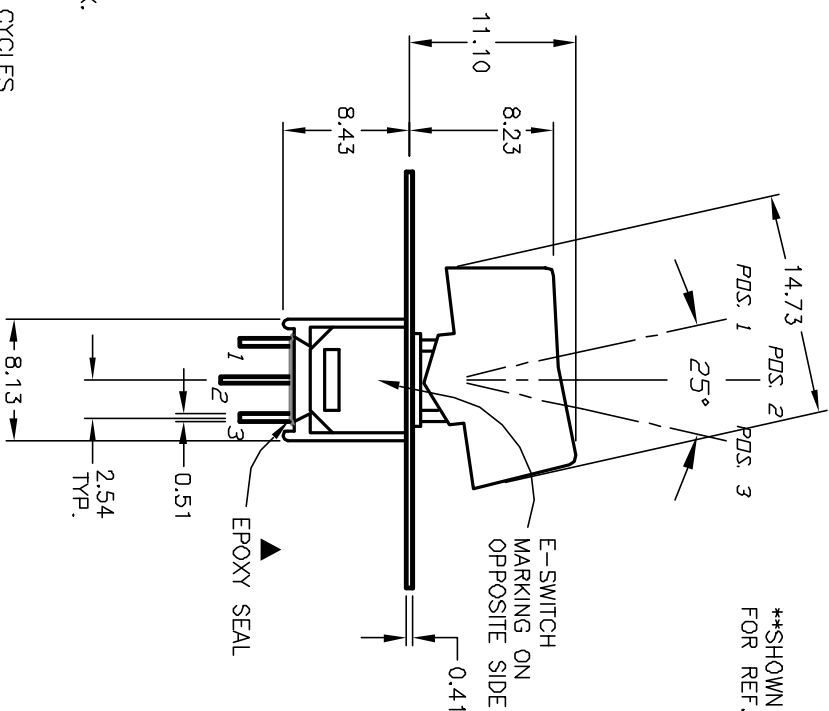


SWITCH FUNCTION		
POS. 1	POS. 2	POS. 3
<DN>	OFF	<DN>
2-3	OPEN	2-1

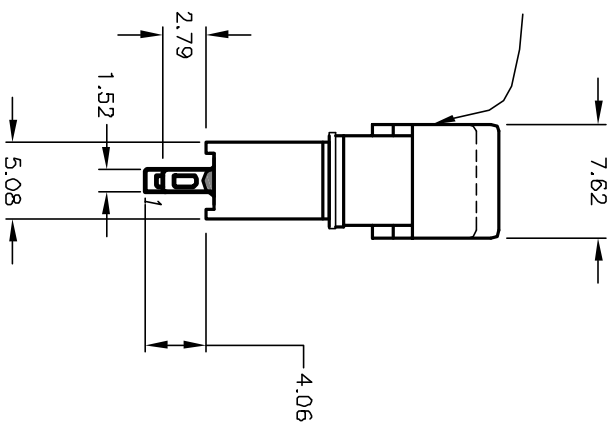
()=Momentary

NOTES:

1. ALL DIMENSIONS IN MM
2. GENERAL TOLERANCE: X.X=±0.4
X.XX=±0.25
3. TERM. NOS. FOR REF. ONLY
4. RATING: 0.4 (VA) MAX. @20 VAC or DC MAX.
5. FIXED TERMINAL/MOVING CONTACT:
COPPER ALLOY W/GOLD PLATE
AT FULL LOAD.
6. ELECTRICAL LIFE: 30,000 MAKE-AND-BREAK CYCLES
7. INSULATION RESISTANCE: 1000M OHM TYPICAL
8. DIELECTRIC STRENGTH: 1,000 V RMS @SEA LEVEL
9. OPERATING TEMP.: -30°C to 85°C



**SHOWN ACTUATED FOR REF. ONLY



A		12367	RELEASED	8/14/02	CB	TITLE		400 WSP-4 R1 (BLK) M1 RE (GOLD CONTACTS)	SCALE	2:1	DATE	8/14/02	DR	CB	DWG	T414011	REV	A
REV.	ECN NO.	DESCRIPTION		DATE	CHKD	TITLE		400 WSP-4 R1 (BLK) M1 RE (GOLD CONTACTS)	SCALE	2:1	DATE	8/14/02	DR	CB	DWG	T414011	REV	A

THE INFORMATION CONTAINED IN THIS DOCUMENT IS PREPARED FOR E-SWITCH AND IS NOT TO BE COPIED OR TRANSFERRED

E-SWITCH®