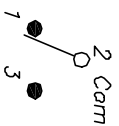


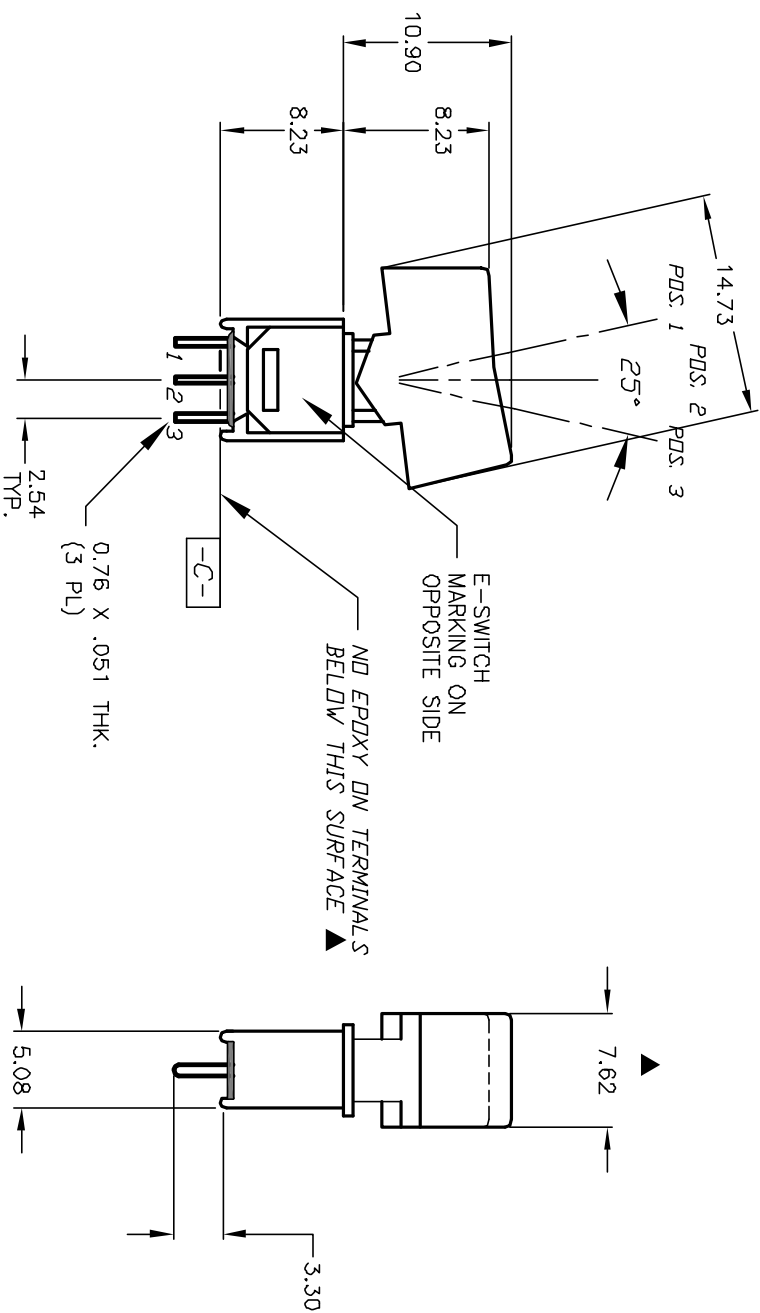
RECOMMENDED P.C.B. LAYOUT



CIRCUIT: SPDT

| SWITCH FUNCTION | | |
|-----------------|--------|--------|
| POS. 1 | POS. 2 | POS. 3 |
| | | |
| <DND> | DIFF | <DND> |
| 2-3 | OPEN | 2-1 |

() =Momentary



- NOTES:
1. ALL DIMENSIONS IN MM
 2. GENERAL TOLERANCE: X.X=±0.4
X.XX=±0.25
 3. TERM. NDS. FOR REF. ONLY
 4. CONTACT RATING: 0.4VA @20V AC or DC max.
 5. FIXED TERMINAL & MOVING CONTACT:
Copper alloy w/Gold plate over Nickel plate.
 6. ELECTRIC LIFE: 30,000 make-and-break cycles at full load.
 7. INSULATION RESISTANCE: 1,000 M ohm min.
 8. DIELECTRIC STRENGTH: 1,000 V RMS @sea level.
 9. OPERATING TEMP.: -30°C to +85°C

| | | | | |
|------|---------|-------------|---------|------|
| REV. | ECN NO. | DESCRIPTION | DATE | CHKD |
| A | 12447 | RELEASED | 10/3/02 | CB |

| | | | | | | |
|--|--|-------|---------|----|---------|-----|
| TITLE | | SCALE | DATE | DR | DWG | REV |
| 400 WSP-4 R1 (BLK) M2 RE (GOLD CONTACTS) | | 2:1 | 10/3/02 | CB | T414003 | A |

E-SWITCH®

THE INFORMATION CONTAINED IN THIS DOCUMENT IS PREPARED BY E-SWITCH AND IS NOT TO BE COPIED OR TRANSMITTED