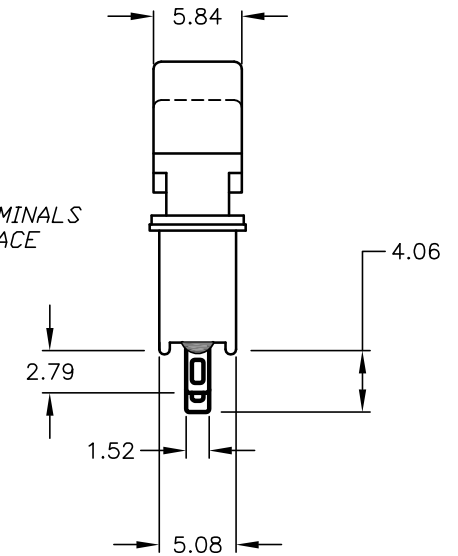
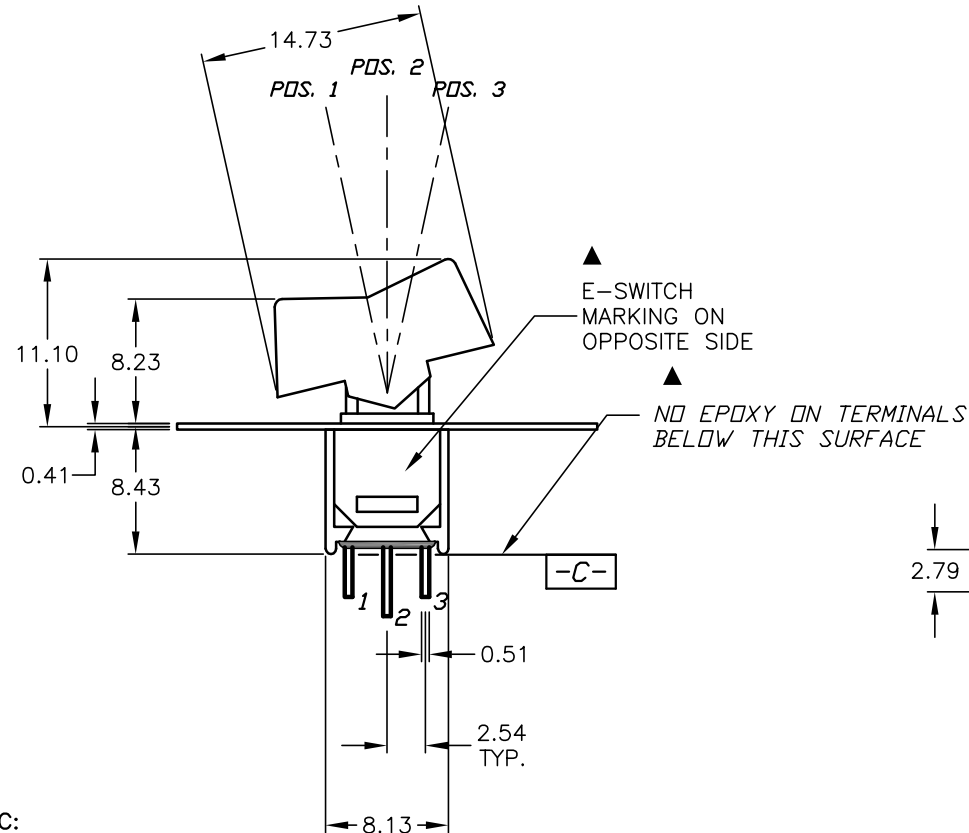


SWITCH FUNCTION		
PDS. 1	PDS. 2	PDS. 3
<ON>	OFF	<ON>
2-3	OPEN	2-1

( )=Momentary



NOTES:

- ALL DIMENSIONS IN MM [INCH]
- GENERAL TOLERANCE: X.X=±0.4  
X.XX=±0.25
- TERM. NOS. FOR REF. ONLY
- CONTACT RATING: 3A@ 120VAC. OR 28VDC:  
1A@ 250VAC.
- ▲ 5. FIXED TERMINAL & MOVING CONTACT: Cu alloy w/ Silver plate
6. ELECTRIC LIFE: 30,000 make-and-break cycles  
at full load.
7. INSULATION RESISTANCE: 1,000 M ohm min.
8. DIELECTRIC STRENGTH: 1,000 V RMS @sea level.
9. OPERATING TEMP.: -30°C to +85°C
- ▲ 10. DENOTES CRITICAL PARAMETER.

**E-SWITCH®**

A	13943	RELEASED FOR PRODUCTION	4/20/04	AR
REV.	ECN No.	DESCRIPTION	DATE	CHKD

TITLE				
400MSP4R6BLKM1QE				
SCALE	DATE	DR	DWG	REV
2:1	4/20/04	AR	T414100	A

THE INFORMATION CONTAINED IN THIS DOCUMENT IS PROPRIETARY TO E-SWITCH AND IS NOT TO BE COPIED OR TRANSFERRED