

610/620-Series



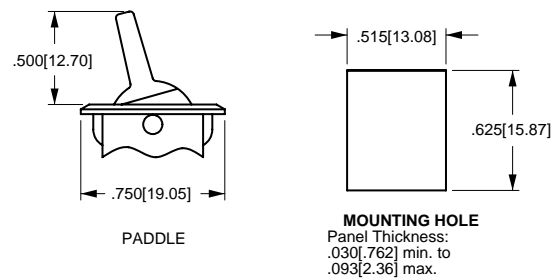
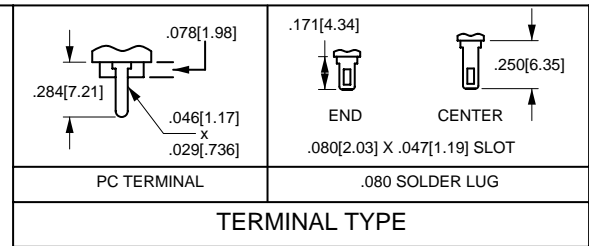
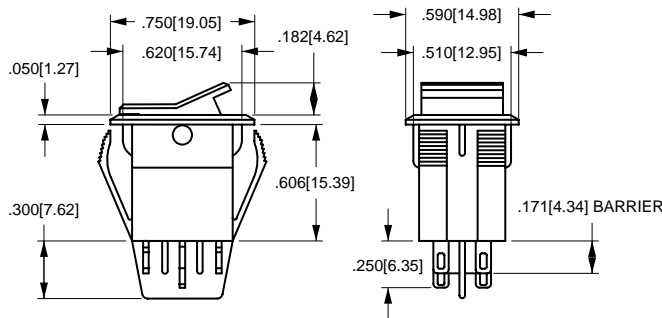
The miniature 610/620-Series switches are double insulated and available in single or double pole configurations. These snap-in mounted switches are offered with either a paddle or rocker actuator and with ratings up to 8 amps.

Specifications

- Certifications*: UL, CSA, VDE, and SEMKO
- Dielectric Strength: 1,000 V (minimum)
- Insulation Resistance: 100 Megohms (minimum)
- Base Material: Nylon
- Actuator Material: Nylon

* Due to ongoing technological advances, consult factory for certification specifics.

Dimensional Specifications: in. [mm]



6	20	1	6	4	2	1	-	0	-	0
SERIES	ACTUATOR STYLE	BASE/ACTUATOR COLOR¹		RATING²	FUNCTION	TERMINATION		ROCKER FACE IMPRINTED LEGEND³		
6	10 PADDLE 20 ANGLED ROCKER	BASE	ACTUATOR	1 .4VA MAX @20V MAX (AC/DC)	2 ON-NONE-ON	1 SOLDER LUG	0 NO LEGEND			
		1 BLACK	1 BLACK	2 2A 250VAC	3 ON-NONE-(ON)	2 PC TERM	A ON-OFF (VERTICAL)			
		2 BLACK	2 WHITE	5 5A 125VAC	6 ON-OFF-ON	EPOXY SEALED TERMINALS	B ON-OFF (HORIZONTAL)			
		4 WHITE	4 BLACK	RESISTIVE	7 ON-OFF-(ON)		D I-O (HORIZONTAL)			
		5 WHITE	5 WHITE	4 4A 250 VAC	8 (ON)-OFF-(ON)		E I-O (VERTICAL)			
				8A 125VAC						
				9 4A 250VAC						
				8A 125VAC						
				INDUCTIVE						
				6(4)A 250VAC						

NOTES:

Shading indicates standard configurations.

Panel Cut-Out Recommendations: For sheet metal panels, switch must enter panel in same direction as the punch. (Burr on bottom.) Test cut hole in actual material.

1 Matte finish is standard. Custom colors are available. Consult factory.

2 Rating 1 contact surfaces: gold plate over nickel plate. Rating Code 9=T55, available with function 2 only.

3 White is standard with dark rocker actuators; black is standard with light rocker actuators. Choose 0 if paddle actuator is specified.