

4

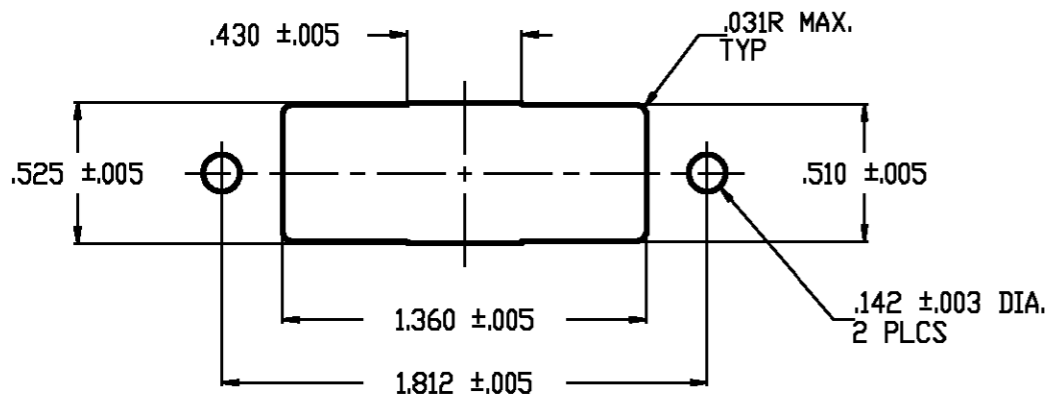
3

2

1

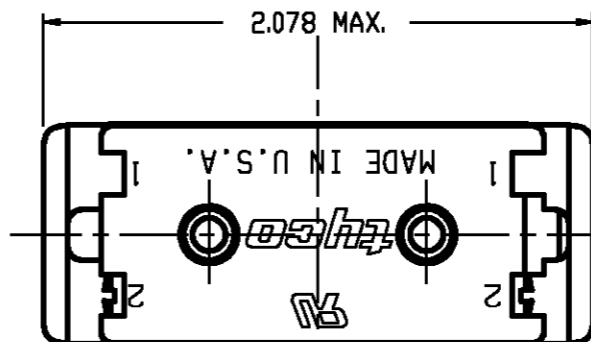
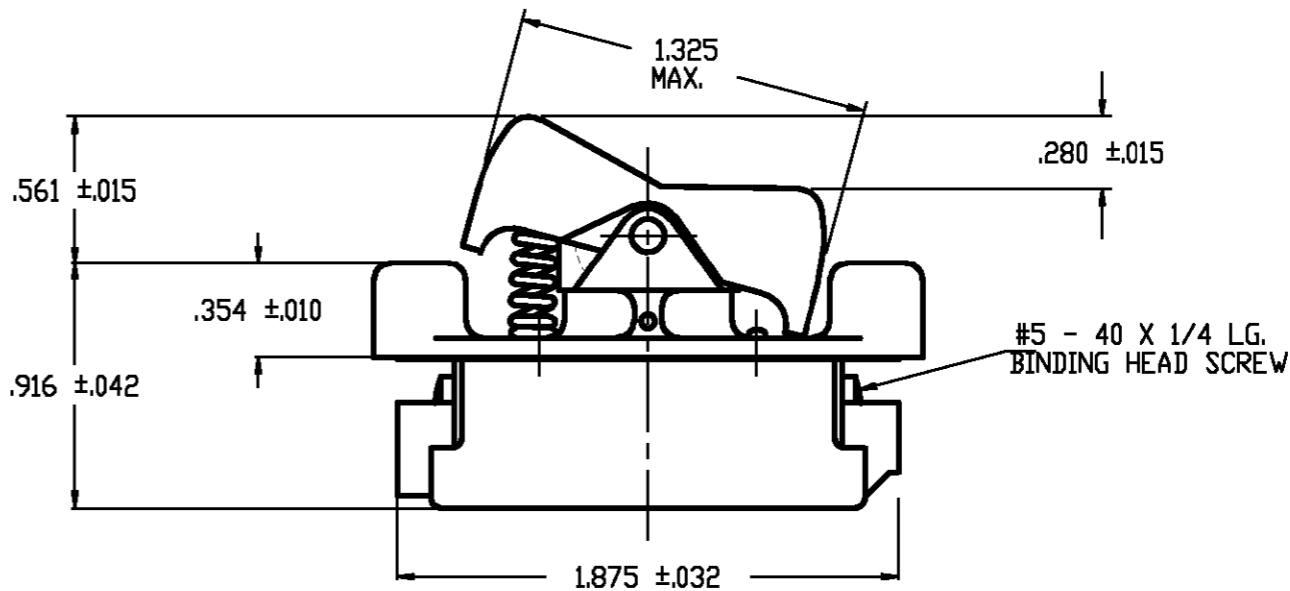
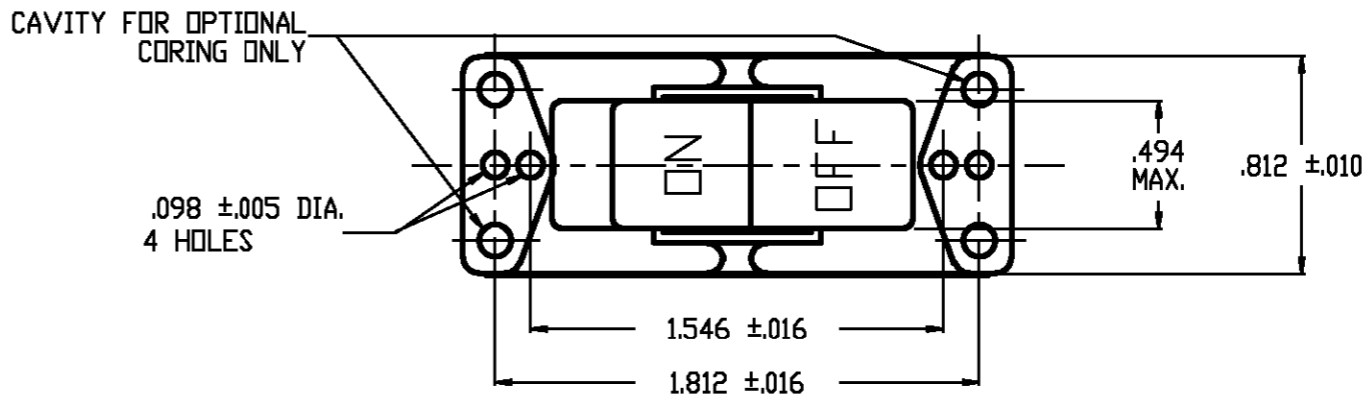
THIS DRAWING IS UNPUBLISHED. RELEASED FOR PUBLICATION
© COPYRIGHT BY TYCO ELECTRONICS CORPORATION. ALL RIGHTS RESERVED.

LOC	DIST	REVISIONS			
P	LTR	DESCRIPTION	DATE	DWN	APVD
AD	00	A	ECOG3G-0016-01	25MAY01	WL WBH



PANEL CUTOUT

NOTE:
1. SWITCH RATED AT 8A 250V 16A 125V 1HP 125V.



#5 - 40 X 1/4 LG. BINDING HEAD SCREW

91-572

TYCO NO. 1520238-9
(ARAB NO. 8909K13)

THIS DRAWING IS A CONTROLLED DOCUMENT.		DWN W. HANSON 12SEP95	Tyco Electronics Corporation Arab, AL 35016	
DIMENSIONS: INCHES		CHK W. Leonard 13SEP95	NAME ALL PLASTIC ROCKER SWITCH	
TOLERANCES UNLESS OTHERWISE SPECIFIED:		APVD M.R. DUMMER 13SEP95	PRODUCT SPEC -	
0 PLC ± -		APPLICATION SPEC -	RESTRICTED TO -	
1 PLC ± -		WEIGHT -	SIZE A3	CAGE CODE 00779
2 PLC ± -		DRAWING NO 1520238		SCALE 1:1
3 PLC ± -		CUSTOMER DRAWING		SHEET 4 OF 4
4 PLC ± -		REV A		
ANGLES ± -				
FINISH -				
MATERIAL -				

4

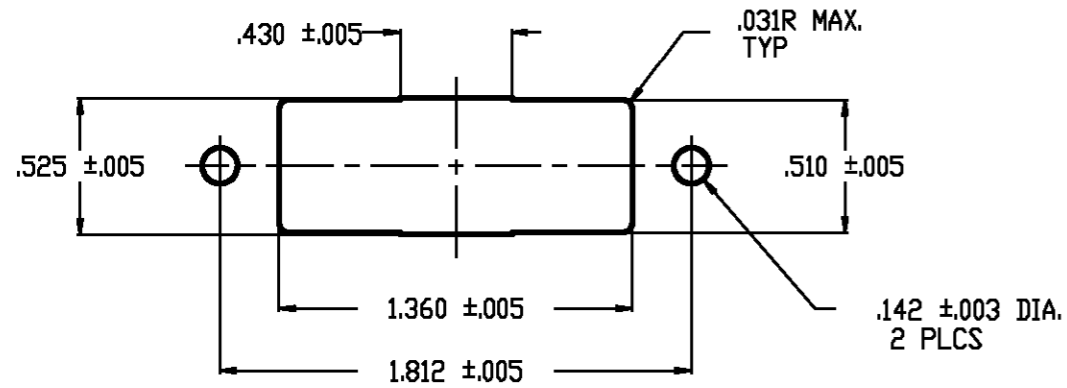
3

2

1

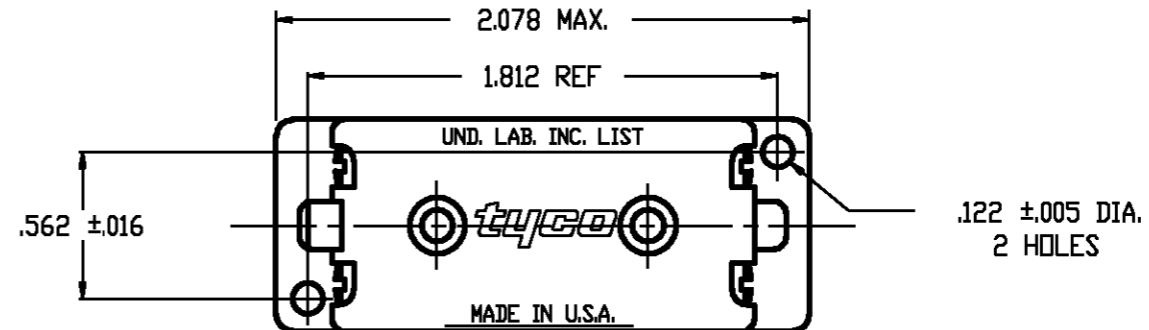
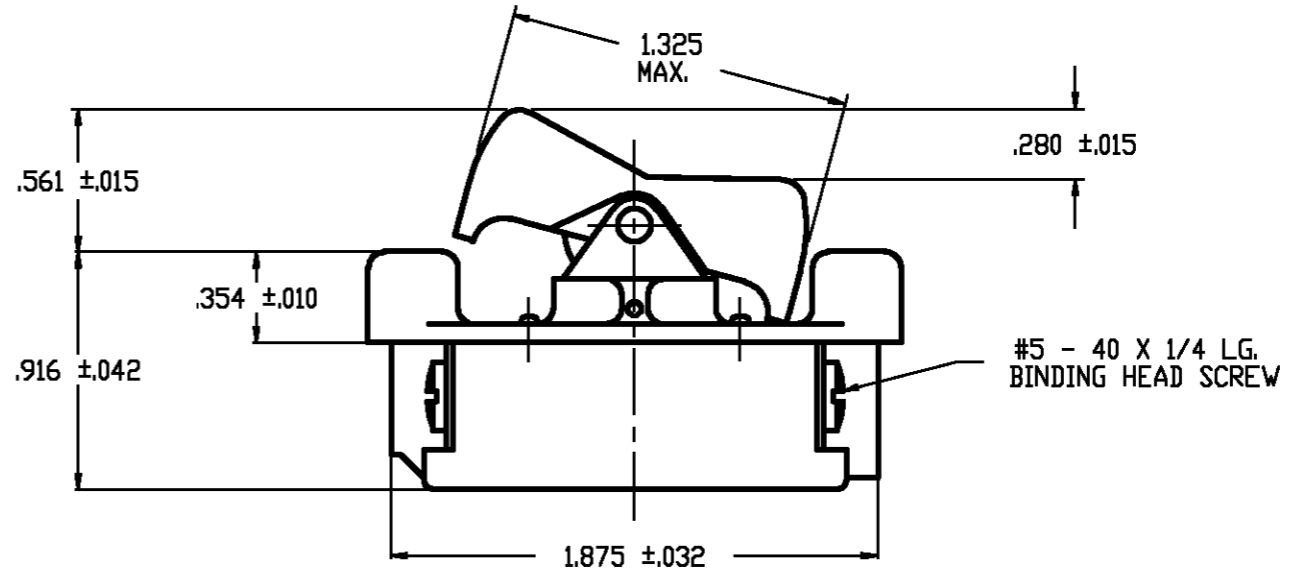
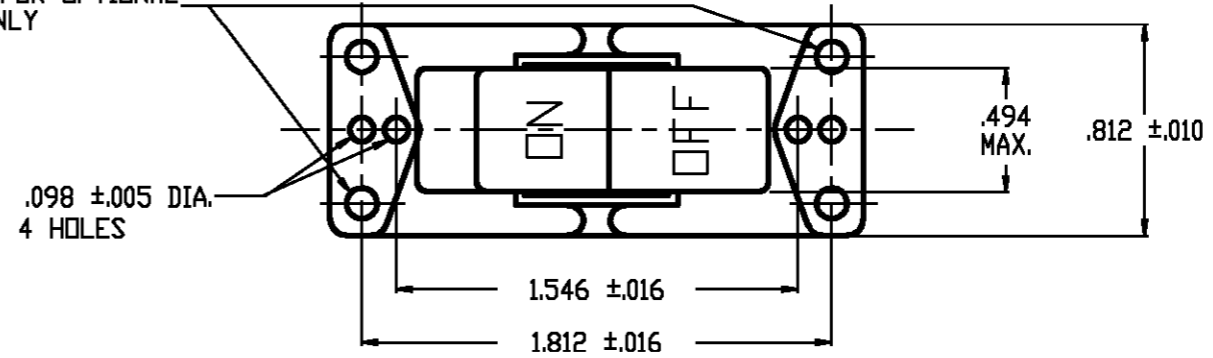
THIS DRAWING IS UNPUBLISHED. RELEASED FOR PUBLICATION
© COPYRIGHT BY TYCO ELECTRONICS CORPORATION. ALL RIGHTS RESERVED.

LOC	DIST	REVISIONS			
P	LTR	DESCRIPTION	DATE	DWN	APVD
AD	00	A	EC0G3G-0016-01	25MAY01	WL WBH



PANEL CUTOUT

CAVITY FOR OPTIONAL CORING ONLY



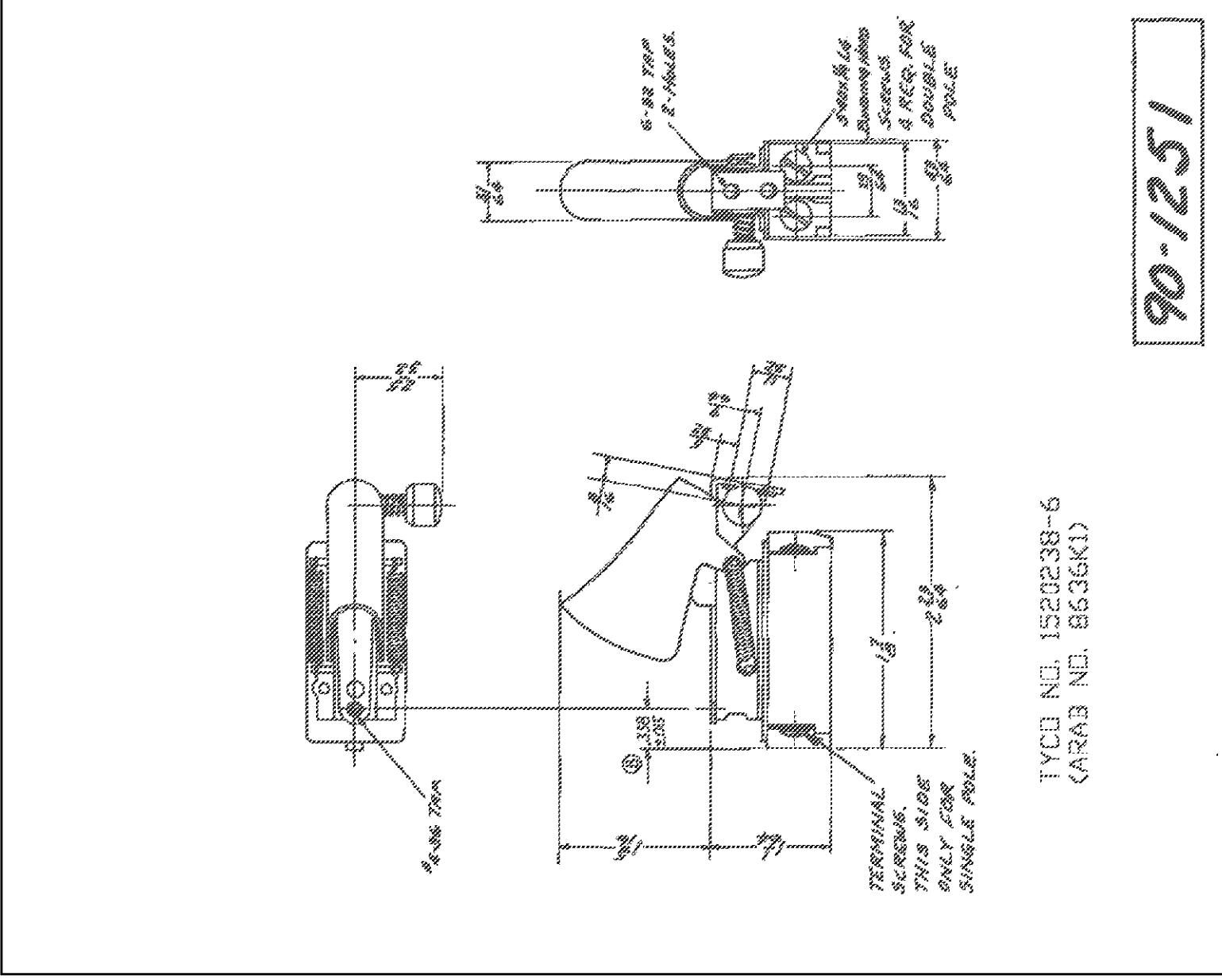
NOTE:
1. SWITCH RATED AT 8A 250V 16A 125V 1HP 125V.

TYCO NO. 1520238-1
(ARAB NO. 8630K50)

90-6361

THIS DRAWING IS A CONTROLLED DOCUMENT.		DWN M. WHITED 26AUG76	Tyco Electronics Tyco Electronics Corporation Arab, AL 35016												
DIMENSIONS: INCHES		CHK J. SMITH 27AUG76	NAME ALL PLASTIC ROCKER SWITCH												
TOLERANCES UNLESS OTHERWISE SPECIFIED:		APVD R. SARAS 27AUG76	PRODUCT SPEC -												
<table border="0"> <tr><td>0 PLC</td><td>± -</td></tr> <tr><td>1 PLC</td><td>± -</td></tr> <tr><td>2 PLC</td><td>± -</td></tr> <tr><td>3 PLC</td><td>± -</td></tr> <tr><td>4 PLC</td><td>± -</td></tr> <tr><td>ANGLES</td><td>± -</td></tr> </table>		0 PLC	± -	1 PLC	± -	2 PLC	± -	3 PLC	± -	4 PLC	± -	ANGLES	± -	APPLICATION SPEC -	
0 PLC	± -														
1 PLC	± -														
2 PLC	± -														
3 PLC	± -														
4 PLC	± -														
ANGLES	± -														
MATERIAL -	FINISH -	WEIGHT -	SIZE A3	CAGE CODE 00779											
CUSTOMER DRAWING			DRAWING NO 1520238	RESTRICTED TO -											
			SCALE 1:1	SHEET 1 OF 4											
			REV A												

LOC	DIST	P	LTR	REVISIONS		DWN	APVD
AD 00				DESCRIPTION	DATE	DWN	APVD
		A		ECOG3G-0016-01	25MAY01	WL	WBH

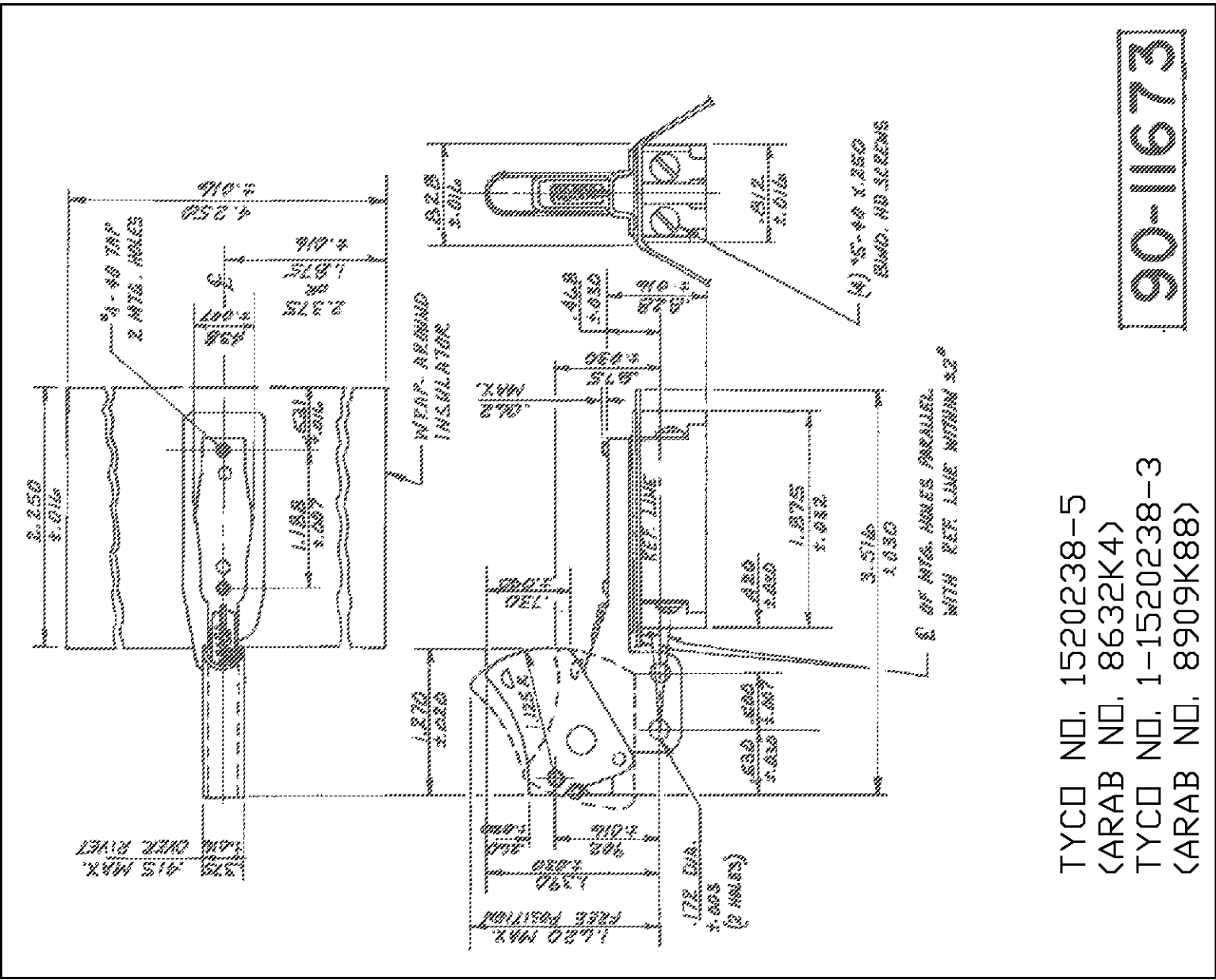


THIS DRAWING IS UNPUBLISHED. © COPYRIGHT - BY TYCO ELECTRONICS CORPORATION. ALL RIGHTS RESERVED.

RELEASED FOR PUBLICATION






DIMENSIONS:		DWN	18FEB52	MATERIAL	FINISH	RESTRICTED TO	
INCHES		N.G. KEAEN	22FEB52			—	
TOLERANCES UNLESS OTHERWISE SPECIFIED:		CHK	23FEB52	Tyco Electronics Corporation Arab, AL 35016		—	
0 PLC	± -	APVD		NAME		SIZE	CAGE CODE
1 PLC	± -	J. MENER		TOOL HANDLE SWITCH		A4	00779
2 PLC	± -	PRODUCT SPEC					DRAWING NO
3 PLC	± -	APPLICATION SPEC					1520238
4 PLC	± -						
ANGLES	± -						
						SCALE	1:1
						SHEET	3 OF 4
						REV	A
CUSTOMER DRAWING							

LOC	DIST	P	LTR	REVISONS			DATE	DWN	APVD
				DESCRIPTION					
AD	00		A	EC0G3G-0016-01			25MAY01	WL	WBH



TYCO NO. 1520238-5
 (ARAB NO. 8632K4)
 TYCO NO. 1-1520238-3
 (ARAB NO. 8909K88)

90-11673

DIMENSIONS:			MATERIAL			FINISH		
INCHES			25MAY01			-		
TOLERANCES UNLESS OTHERWISE SPECIFIED:			CHK B. THOMPSON 30AUG83			Tyco Electronics Corporation		
0 PLC ± -			APVD B. NEWLAND 31AUG83			Arab, AL 35016		
1 PLC ± -			PRODUCT SPEC -			NAME		
2 PLC ± -			APPLICATION SPEC -			OVERHANGING SWITCH WITH		
3 PLC ± -			WEIGHT -			WRAP-AROUND INSULATOR		
4 PLC ± -			CUSTOMER DRAWING			RESTRICTED TO		
ANGLES ± -			CAGE CODE			DRAWING NO		
			A4 00779			1520238		
			SCALE			1:1		
			SHEET			2		
			OF			4		
			REV			A		

THIS DRAWING IS UNPUBLISHED.
 ALL RIGHTS RESERVED. BY TYCO ELECTRONICS CORPORATION.