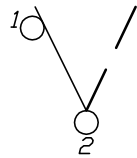


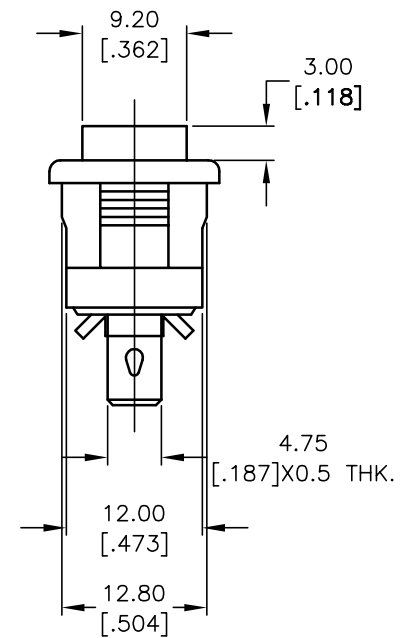
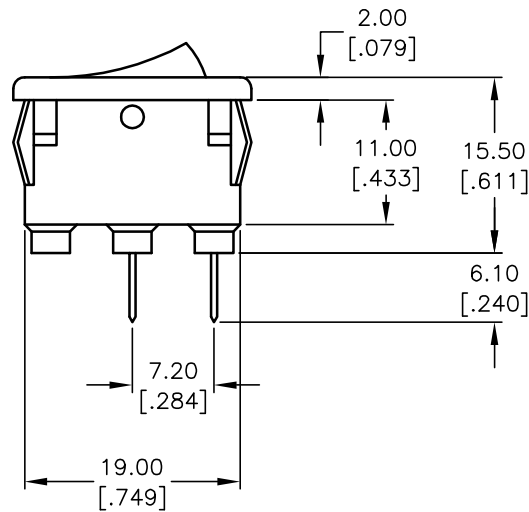
RECOMMEND P.C.B. PANEL MOUNTING

PANEL THICKNESS	X
0.75-1.25 (.030-.049)	19.2 (.756)
1.25-2.0 (.049-.079)	19.4 (.764)



CIRCUIT: SPST

CONTACT CONFIGURATION



NOTES:

1. ALL DIMENSIONS IN MM
2. GENERAL TOLERANCE: X.X=±0.4
X.XX=±0.25
3. TERM. NOS. FOR REFERENCE ONLY.
4. RATING: 10A 125VAC/5A 250VAC
- ▲ 5. CONTACTS: SILVER PLATED COPPER ALLOY
6. ▲ DENOTES CRITICAL PARAMETER.

E-SWITCH®

TITLE				
RA1066AFF				
SCALE	DATE	DR	DWG	REV
1.5:1	10/24/03	AR	P300006	A

A	13549	RELEASED FOR PRODUCTION	10/24/03	AR
REV.	ECN No.	DESCRIPTION	DATE	CHKD

THE INFORMATION CONTAINED IN THIS DOCUMENT IS PROPRIETARY TO E-SWITCH AND IS NOT TO BE COPIED OR TRANSFERRED