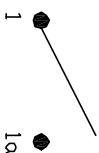
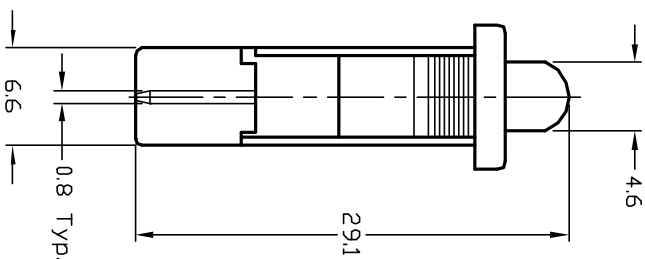
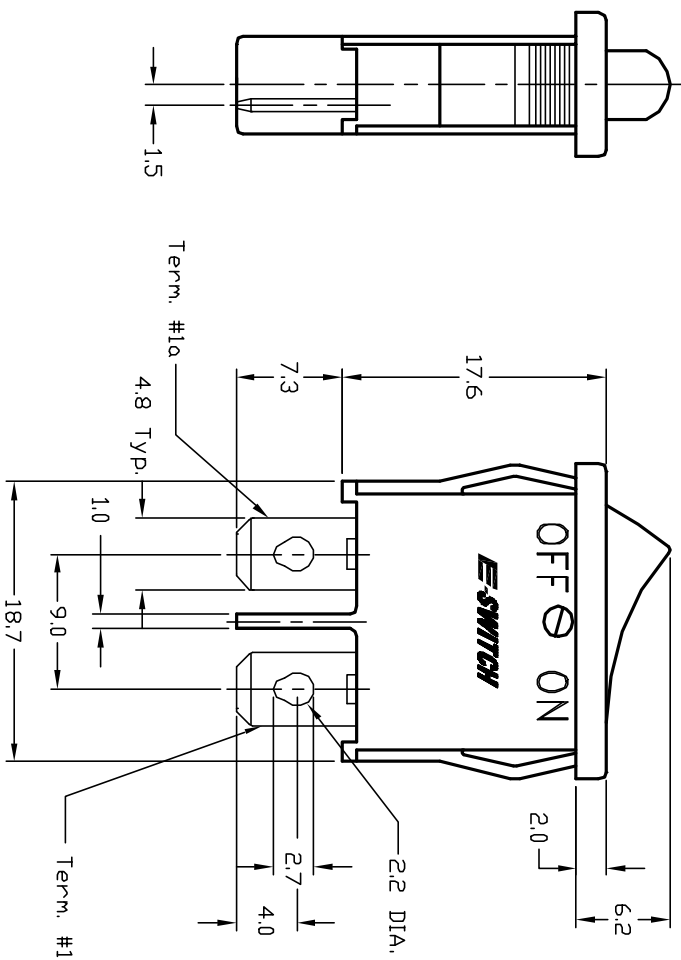


RECOMMEND P.C.B. PANEL MOUNTING

| PANEL THICKNESS | X |
|-----------------|------|
| 0.75-1.25 | 19.2 |
| 1.25-2.0 | 19.4 |
| 2.0-3.0 | 19.6 |



CIRCUIT: SPST

CONTACT CONFIGURATION

NOTES:

1. ALL DIMENSIONS IN MM
2. GENERAL TOLERANCE: 0.0=±0.4
0.00=±0.25
3. TERM. NOS. FOR REF. ONLY
4. RATING: 4(1)A 250V, 10A 125VAC, 6A 250VAC
5. MATERIAL: Body & Rocker: Nylon 6/6 UL 94 V-2

| | | | | |
|------|---------|-------------------------|------|------|
| REV. | ECN NO. | DESCRIPTION | DATE | CHKD |
| A | 10498 | RELEASED FOR PRODUCTION | | |

THE INFORMATION CONTAINED IN THIS DOCUMENT IS PROPRIETARY TO E-SWITCH AND IS NOT TO BE COPIED OR TRANSMITTED

| | | | | |
|------------------|---------|----|---------|-----|
| TITLE | | | | |
| R6 A BLK BLK F F | | | | |
| E-SWITCH | | | | |
| SCALE | DATE | DR | DWG | REV |
| 2:1 | 1/17/00 | MM | M060302 | A |