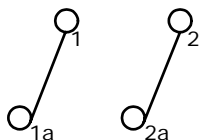


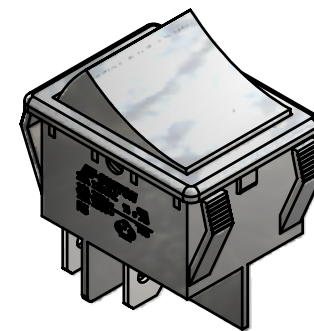
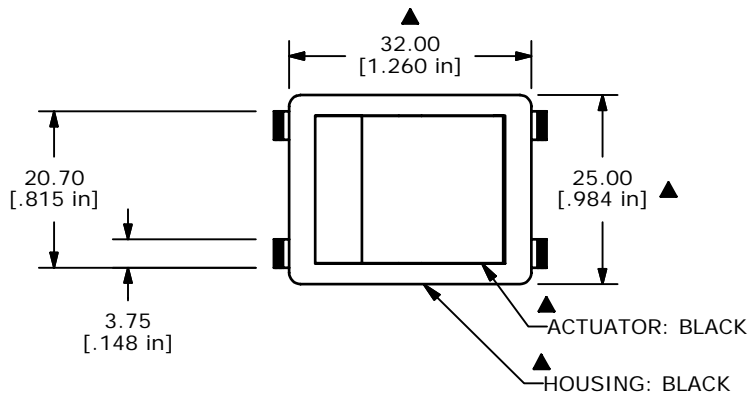
RECOMMENDED PANEL MOUNTING

PANEL THICKNESS	X
0.70-1.25	30.0
1.25-2.00	30.2
2.00-3.00	30.6

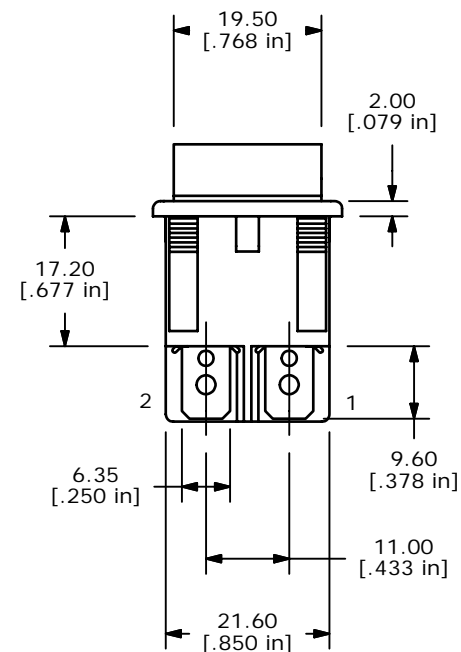
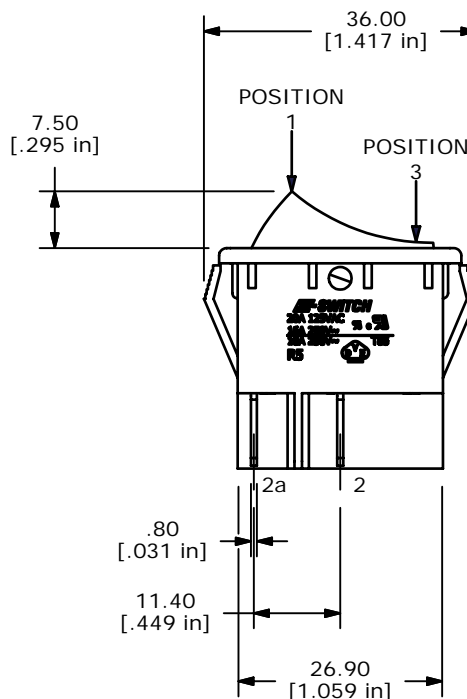
SWITCH FUNCTION		
POS. 1	POS. 2	POS. 3
ON	NONE	OFF
1-1a, 2-2a	N/A	OPEN



CIRCUIT: DPST
ON-OFF



ISOMETRIC



NOTES:

1. ALL DIMENSIONS IN MM [INCH]
2. GENERAL TOLERANCE: X.X=±0.4
X.XX=±0.25
3. TERM. NOS. FOR REF. ONLY
- ▲ 4. RATING: 20A @125VAC; 15A @250VAC UL APPROVED
16A @ 250VAC VDE APPROVED
5. ELECTRICAL LIFE: 10,000 CYCLES
6. MECHANICAL LIFE: 30,000 CYCLES
7. CONTACT RESISTANCE: <20 MILLI-OHMS INITIAL
8. DIELECTRIC STRENGTH: >1,500V AC 1MIN
9. ▲ DENOTES CRITICAL PARAMETER.
10. INSULATION RESISTANCE: 1000mOHMS
11. OPERATING TEMP: TERMINAL SIDE: -20°C to 85°C
ROCKER SIDE: -20°C to 55°C
12. 2002/95/EC (ROHS) COMPLIANT



TITLE R5ABLKBLKEF0

D	16509	RATINGS UPDATED, MADE INVENTOR	10/04/2006	TN
REV	PCR NO	DESCRIPTION	DATE	BY

THE INFORMATION CONTAINED IN THIS DOCUMENT IS PROPRIETARY TO E-SWITCH AND IS NOT TO BE COPIED OR TRANSFERRED

SCALE	DATE	DR	DWG	REV
1:1	6/28/2005	JB	M050201	D