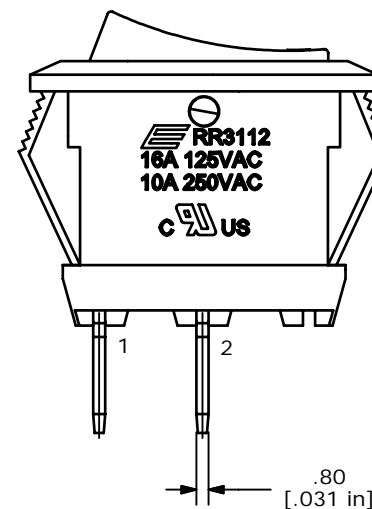
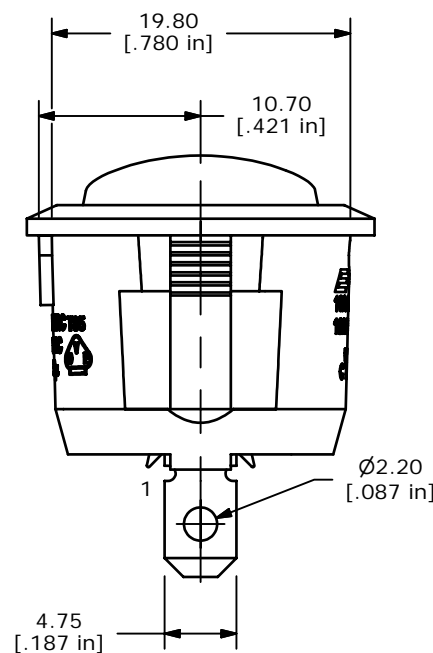
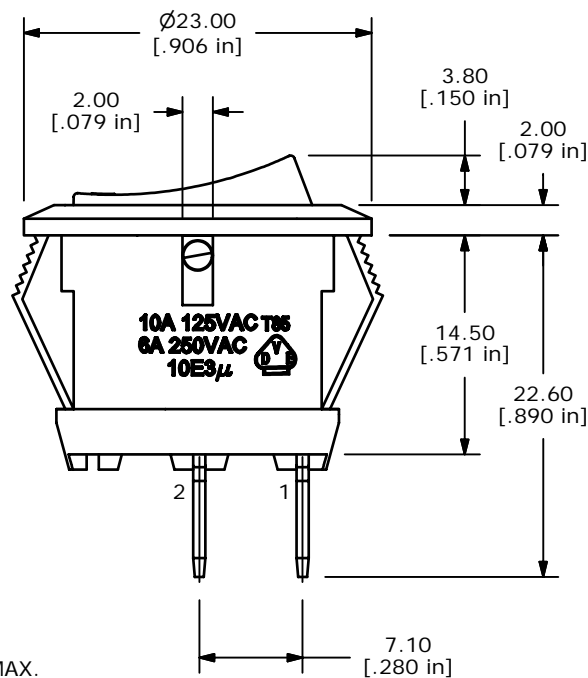


CIRCUIT: SPST

RECOMMENDED PANEL MOUNTING



- NOTES:
1. ALL DIMENSIONS IN MM [INCH]
 2. GENERAL TOLERANCE: x.x=±0.4
x.xx=±0.25
 3. TERM. NOS. FOR REF. ONLY
 4. RATING: 10A 250VAC
16A 125VAC
 5. CONTACT RESISTANCE: 50mOHM MAX.
 6. INSULATION RESISTANCE: DC 500V 100M OHM MIN.
 7. DIELECTRIC STRENGTH: AC 1500V 1 MIN
 8. OPERATING TEMPERATURE: 0°C to 65°C

E-SWITCH®

TITLE RR3112ABLKBLKNAF0

B	16195	REVISED AND REDRAWN	6/28/06	CT
REV	PCR NO	DESCRIPTION	DATE	BY

THE INFORMATION CONTAINED IN THIS DOCUMENT IS PROPRIETARY TO E-SWITCH AND IS NOT TO BE COPIED OR TRANSFERRED

SCALE	DATE	DR	DWG	REV
2:1	2/25/2000	MM	F130410	B