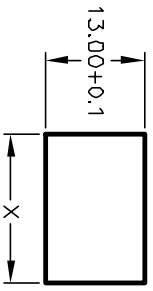
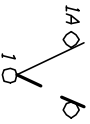


PANEL THICKNESS	X dimension
0.75-1.25 [.030-.049]	19.2-.01 [.756]
1.25-2.0 [.049-.079]	19.4-.01 [.764]
2.0-3.0 [.079-.118]	19.8-.01 [.780]



PANEL CUTOUT
NOT TO SCALE

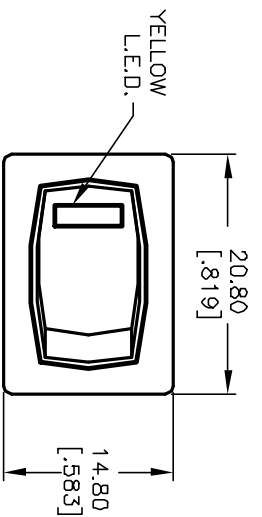
SWITCH FUNCTION	
PDS, 1	PDS, 2
DN	OFF
1-1a	DPEN



CIRCUIT: SPST

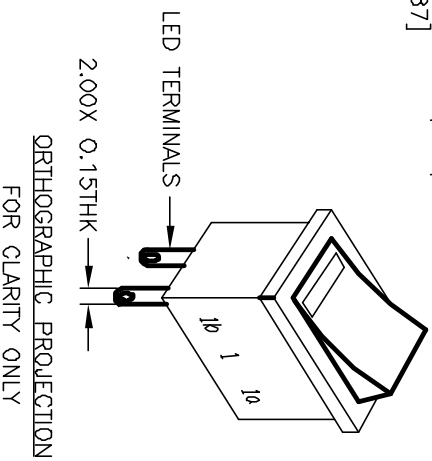
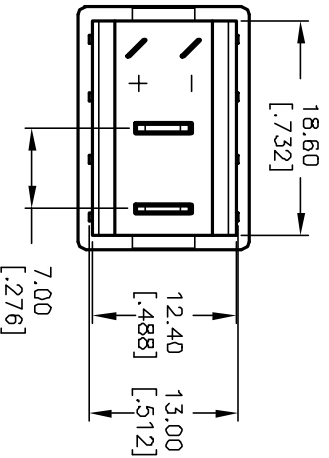
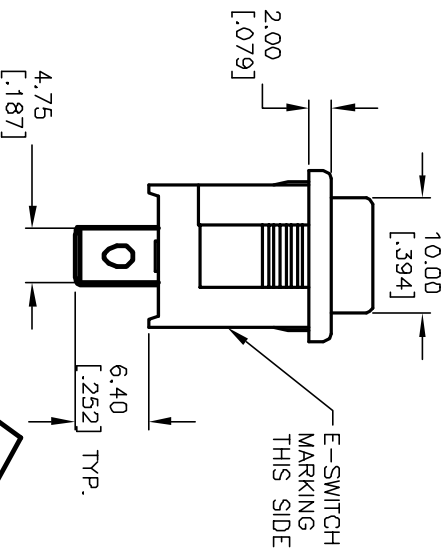
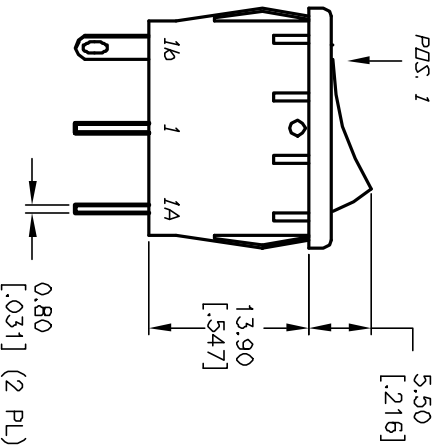
NOTES:

1. ALL DIMENSIONS IN MM [INCH]
2. GENERAL TOLERANCE: X.X=±0.4
X.XX=±0.25
3. TERMINAL NUMBERS FOR REF ONLY
4. RATING: 15A @ 125VAC OR 6A @ 250VAC
5. MATERIALS: (TERMINALS) SILVER PLATED COPPER
(CONTACTS) COIN SILVER, SILVER PLATED.
6. CONTACT RESISTANCE: <20 Mega
7. ELECTRIC LIFE: 10,000 cycles
8. INSULATION RESISTANCE: >1000 Mega
9. DIELECTRIC STRENGTH: >1500V 1 minute
>3000V between Poles
10. OPERATING TEMP.: -25°C to +85°C



YELLOW L.E.D

PARAMETERS	SYMBOL	MAX. TYP.	UNITS
POWER DISSIPATION	P _d	80	mW
Ave FORWARD CURRENT	I _{af}	--	mA
PEAK FORWARD CURRENT	I _{pf}	100	mA
REVERSE VOLTAGE	V _r	5	V
FORWARD VOLTAGE	V _f	2.6	V
REVERSE CURRENT	I _r	100	µA
EMISSION WAVELENGTH	λ _p	585	nm
LUMINOUS INTENSITY	I _v	30	mcd



ORTHOGRAPHIC PROJECTION
FOR CLARITY ONLY

E-SWITCH®

REV. A	11666	RELEASED FOR PRODUCTION	9/20/01	CJB	TITLE	R1966A BLK BLK E F YEL	DR	CB	DWG	M301206	REV	A
ECN No.	DESCRIPTION		DATE	CHKD	SCALE	1.5:1	DATE	9/20/01	SCALE	1.5:1	DATE	9/20/01
<p>THE INFORMATION CONTAINED IN THIS DOCUMENT IS PROPRIETARY TO E-SWITCH AND IS NOT TO BE COPIED OR TRANSFERRED</p>												