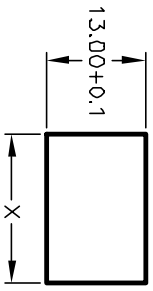
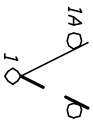


PANEL THICKNESS	X dimension
0.75-1.25 [0.30-.0491]	19.2-01 [7.561]
1.25-2.0 [0.49-.079]	19.4-01 [7.641]
2.0-3.0 [0.79-.118]	19.8-01 [7.801]



PANEL CUTOUT  
NOT TO SCALE

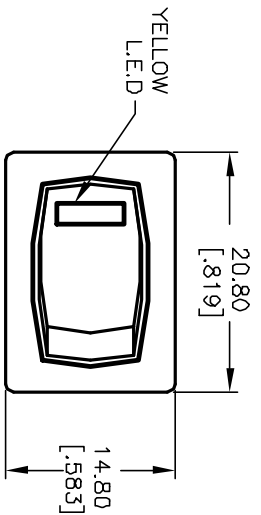
SWITCH FUNCTION	PDS, 1	PDS, 2
DN	DFC	
1-1a	DPEN	



CIRCUIT: SPST

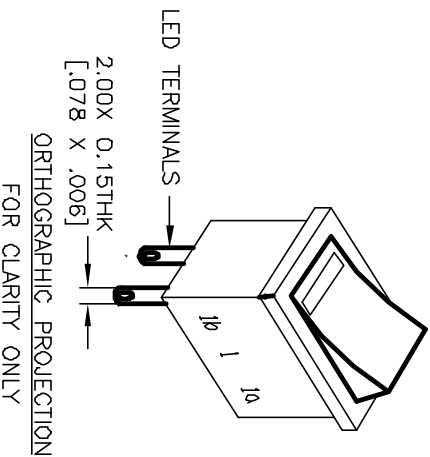
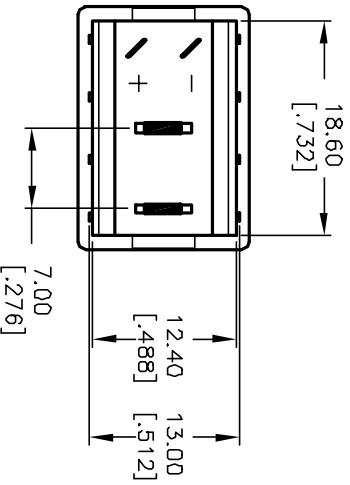
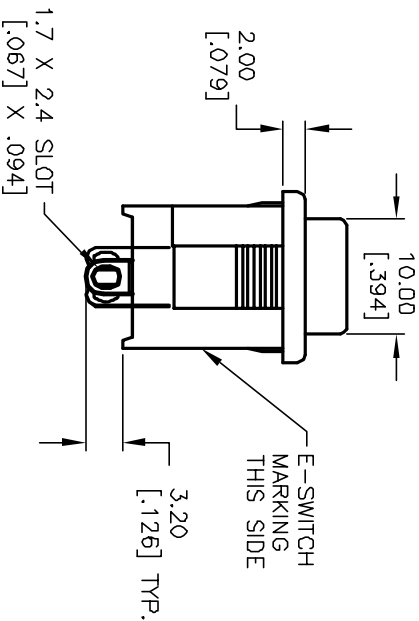
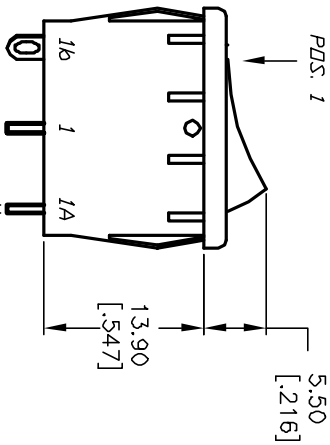
NOTES:

1. ALL DIMENSIONS IN MM [INCH]
2. GENERAL TOLERANCE: X,X=±0.4  
X,XX=±0.25
3. TERMINAL NUMBERS FOR REF ONLY
4. RATING: 15A @ 125VAC OR 6A @ 250VAC
5. MATERIALS: (TERMINALS) SILVER PLATED COPPER  
(CONTACTS) COIN SILVER, SILVER PLATED.
6. CONTACT RESISTANCE: <20 Mega
7. ELECTRICAL LIFE: 10,000 cycles
8. INSULATION RESISTANCE: >1000 Mega
9. DIELECTRIC STRENGTH: >1500V 1 minute  
>3000V between Poles
10. OPERATING TEMP.: -25°C to +85°C



YELLOW L.E.D

PARAMETERS	SYMBOL	MAX. TYP.	UNITS
POWER DISSIPATION	P <sub>d</sub>	80	mW
AVE FORWARD CURRENT	I <sub>af</sub>	--	mA
PEAK FORWARD CURRENT	I <sub>pf</sub>	100	mA
REVERSE VOLTAGE	V <sub>r</sub>	5	V
FORWARD VOLTAGE	V <sub>f</sub>	2.6	V
REVERSE CURRENT	I <sub>r</sub>	100	µA
EMISSION WAVELENGTH	λ <sub>p</sub>		nm
LUMINOUS INTENSITY	I <sub>v</sub>	30	mcd



REV.	ECN No.	DESCRIPTION	DATE	CHKD
B	11666	REVISED AND REDRAWN	9/20/01	CJB

TITLE	SCALE	DATE	DR	DWG	REV
R1966A BLK BLK E S YEL	1.5:1	10/16/96	MM	M301214	B

**E-SWITCH**®

THE INFORMATION CONTAINED IN THIS DOCUMENT IS PROPRIETARY TO E-SWITCH AND IS NOT TO BE COPIED OR TRANSFERRED