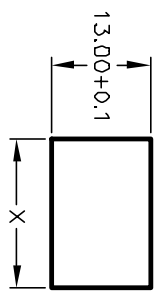
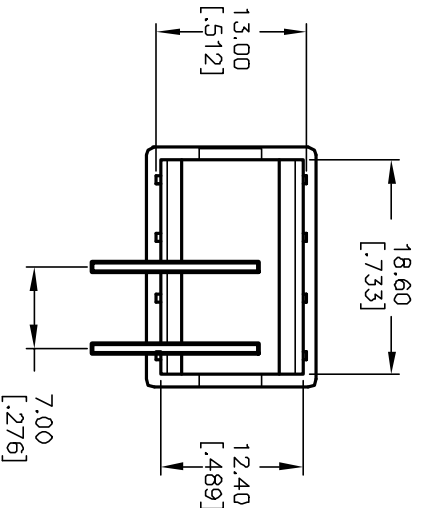
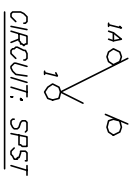
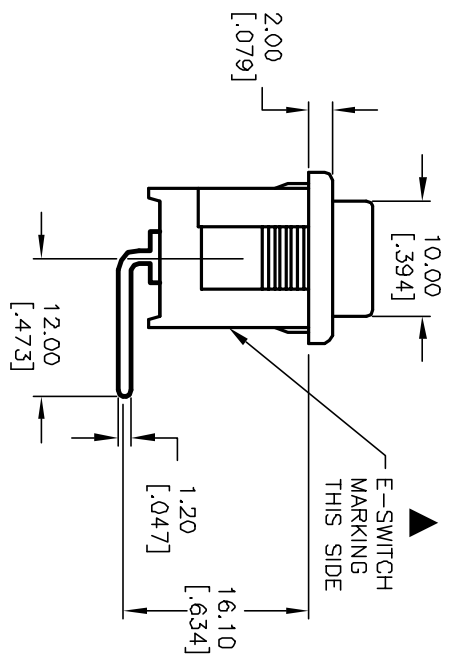
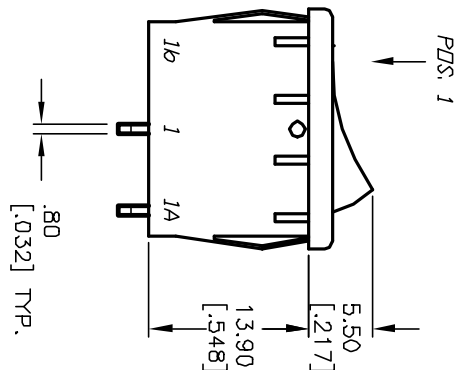


PANEL THICKNESS	X dimension
0.75-1.25 [0.30-0.49]	19.2-01 [0.756]
1.25-2.0 [0.49-0.79]	19.4-01 [0.764]
2.0-3.0 [0.79-1.18]	19.8-01 [0.780]



SWITCH FUNCTION

POS. 1	POS. 2
DN	OFF
1-1a	OPEN



NOTES:

1. ALL DIMENSIONS IN MM [INCH]
2. GENERAL TOLERANCE: X.X=±0.4 X.XX=±0.25
3. TERMINAL NUMBERS FOR REF ONLY
4. RATING: 15A @ 125VAC OR 6A @ 250VAC
5. APPROVALS: (UL, CSA, VDE, NEMKO, SEMKO, FIMKO, DEMKO)
6. MATERIALS: TERMINALS: Silver Plated Copper Alloy CONTACTS: Coin Silver, Silver Plated
7. ELECTRICAL LIFE: 10,000 cycles
8. CONTACT RESISTANCE: <20 Mega Ω
9. INSULATION RESISTANCE: >1000 Mega Ω
10. DIELECTRIC STRENGTH: >1500 V 1 minute >3000 V between poles

E-SWITCH®

D	11664	REVISED PART DESCRIPTION	9/19/01	CJB
REV.	ECN No.	DESCRIPTION	DATE	CHKD

TITLE	SCALE	DATE	DR	DWG	REV
R19664 BLK BLK FR	1.5:1	1/23/96	MM	M301212	D

THE INFORMATION CONTAINED IN THIS DOCUMENT IS PROPRIETARY TO E-SWITCH AND IS NOT TO BE COPIED OR TRANSFERRED