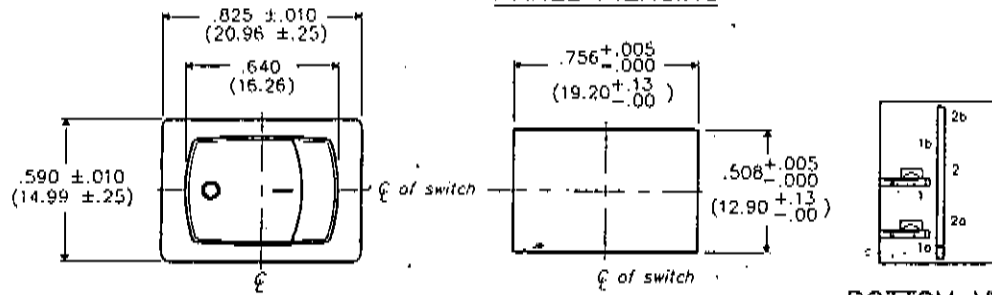


DIMENSIONS IN INCHES (MILLIMETERS)
DO NOT SCALE DRAWING

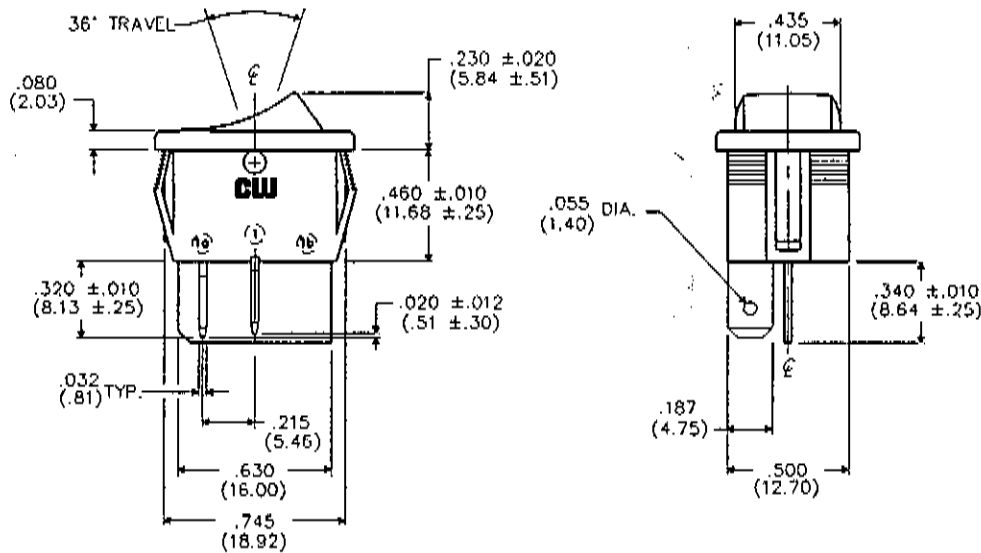
Dwg. No.

GRS-4011-0021

PANEL PIERCING



BOTTOM VIEW



MATERIAL:

- ROCKER KNOB- Nylon 94V-2
- HOUSING- Nylon 94V-2
- TERMINAL/STATIONARY/MOVING CONTACT- Copper alloy and/or copper alloy silver plated.
- SPRING- music wire
- PLUNGER- plated steel

PERFORMANCE STANDARDS-

- Endurance- 100,000 cycles, no load, minimum
- 25,000 cycles at rated load minimum up to 16A 125 VAC
- 10,000 cycles at rated load minimum at 16A 250 VAC
- Contact Resistance- less than .01 Ohm at 10 mA (initial)
- Operating Temperature- 105° C maximum
- High Voltage Dielectric Withstanding Voltage- 2,500 V, 60 Hz for 1 minute between mounting surface and circuit connections

HUMIDITY- Insulation resistance > 10³ MOhms after 100 hours at 95% R.H. and 50° C followed by 1 hour dry at ambient room conditions

ELECTRICAL RATING-

- 16A 125-250VAC, 10A 14V (T)
- 3/4 H.P. 125-250VAC, 3A 125V (L)
- 10(4) 250 ~ μ

LISTING AGENCIES-



FORM-B4	REVISIONS	0	CW INDUSTRIES Southampton, Pa. 18966	Title: ASSEMBLY ROCKER SWIDGET S.P.- S.T.	
		RELEASED DGW 7-05-2006			TOLERANCES UNLESS OTHERWISE SPECIFIED
		JUL 07 2006			2 Place Decimal \pm .010 METRIC
					3 Place Decimal \pm .005 1 Place Dec. \pm .25mm Angles \pm 1' 2 Place Dec. \pm .13mm
			Made for: CW IND.	Division: SWITCH	
			Drawn by: DGW 7-05-2006	Dwg. No. GRS-4011-0021	
			Checked by: <i>[Signature]</i>		
			Approval: <i>[Signature]</i> 7-6-6		

MASTER