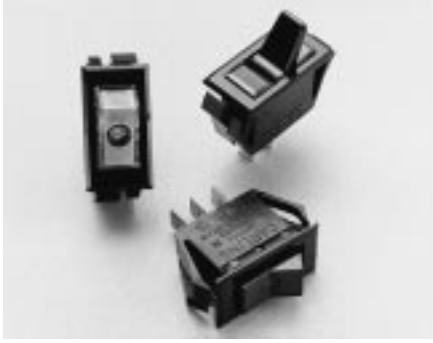


## LTA-Series



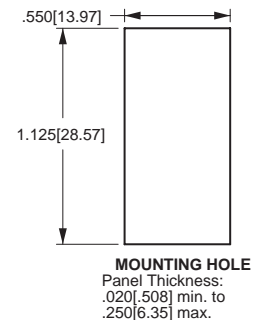
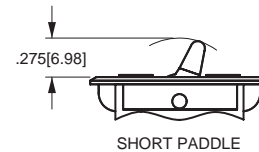
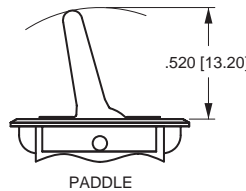
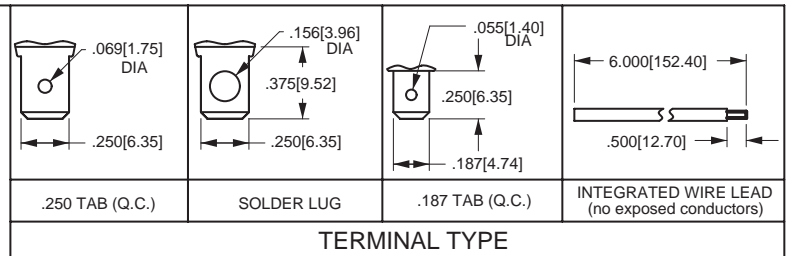
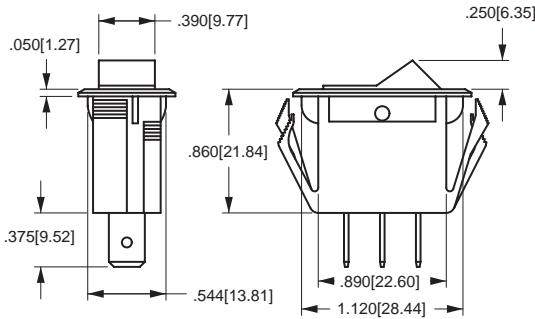
The LTA-Series Mini Tippette Snap-in rocker switches are illuminated, single pole and double-insulated. These AC rated switches are also suitable for low voltage DC applications. A variety of actuators, colors and terminations can be specified with ratings up to 20 amps.

### Specifications

- Certifications\*: UL, CSA
- Dielectric Strength: 1,000V (minimum)
- Insulation Resistance: 100 Megohms (minimum)
- Base Material: Nylon
- Actuator Material: Nylon or Polycarbonate
- Bezel Material: Nylon

\* Due to ongoing technological advances, consult factory for certification specifics.

### Dimensional Specifications: in. [mm]



<b>LTA</b>	<b>20</b>	<b>1</b>	<b>-</b>	<b>T</b>	<b>R</b>	<b>-</b>	<b>B</b>	<b>-</b>	<b>/</b>	<b>125N</b>
<b>SERIES</b>	<b>RATING</b>	<b>TERMINATION</b>		<b>ACTUATOR STYLE</b>		<b>ACTUATOR COLOR</b>		<b>LENS COLOR<sup>2,3</sup></b>		
LTA OFF-NONE-ON SINGLE POLE	<b>10</b> 5A 250VAC 10A 125VAC 1/2HP 125-250VAC <b>11</b> 5A 250VAC 10A 125VAC 5A (TUNGSTEN) 125VAC L <b>20</b> 10A 250VAC 15A 125VAC 3/4HP 125-250VAC <b>21</b> 10A 250VAC 15A 125VAC <b>22</b> 10A 250VAC 15A 125VAC 20A 125-250VAC H 3/4HP 125-250VAC	<b>0</b> SOLDER LUG <b>1</b> .250 TAB (QC) <b>3</b> .187 TAB (QC) <b>5</b> WIRE LEAD	<b>P</b> PADDLE <b>PS</b> PADDLE - SHORT <b>T</b> LIGHTED ROCKER	ROCKER <b>A</b> AMBER <b>C</b> CLEAR <b>G</b> GREEN <sup>3</sup> <b>R</b> RED  PADDLE <sup>1</sup> <b>B</b> BLACK <b>W</b> WHITE	<b>A</b> AMBER <b>C</b> CLEAR <b>G</b> GREEN <b>LU</b> BLUE <b>R</b> RED	<b>BASE COLOR<sup>1</sup></b> <b>B</b> BLACK <b>W</b> WHITE	<b>LAMP VOLTAGE</b> <b>6V</b> 6 VOLT/ INCANDESCENT <b>12V</b> 12 VOLT/ INCANDESCENT <b>18V</b> 18 VOLT/ INCANDESCENT <b>24V</b> 24 VOLT/ INCANDESCENT <b>28V</b> 28 VOLT/ INCANDESCENT <b>125N</b> 125 VOLT/ NEON <b>250N</b> 250 VOLT/ NEON			

**NOTES:**

Shading indicates standard configurations. Stainless steel bezels are available. Add suffix "BEZEL" to the end of the catalog number. (ex.) LTA201-TR-B/12V/BEZEL  
 Imprinting is available. Please specify when ordering.

Panel Cut-Out Recommendations: For sheet metal panels, switch must enter panel in same direction as the punch. (Burr on bottom.) Test cut hole in actual material.

1 Custom colors are available. Consult factory.

2 Neon lamps (125 volt or 250 volt) not recommended with green or blue colored indicators.

3 Specify lens color only if actuator style is P or PS.