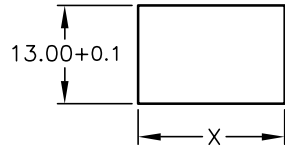
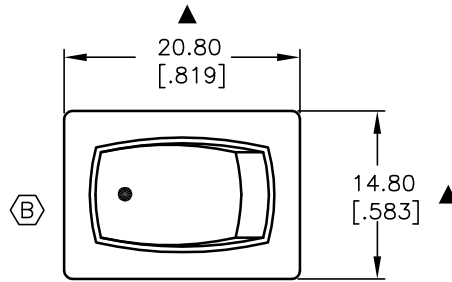


| PANEL THICKNESS       | X dimension     |
|-----------------------|-----------------|
| 0.75-1.25 [.030-.049] | 19.2-0.1 [.756] |
| 1.25-2.0 [.049-.079]  | 19.4-0.1 [.764] |
| 2.0-3.0 [.079-.118]   | 19.8-0.1 [.780] |

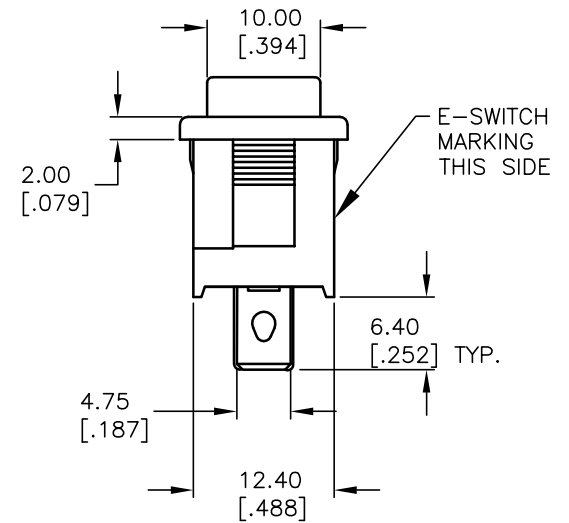
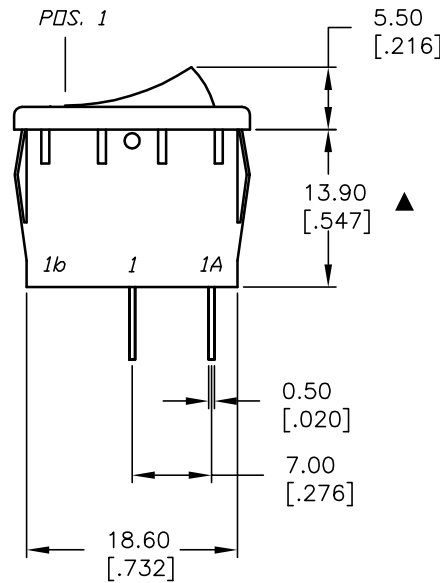
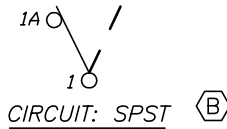


PANEL CUTOUT  
NOT TO SCALE



▲

| SWITCH FUNCTION |        |
|-----------------|--------|
| POS. 1          | POS. 2 |
| ON              | OFF    |
| 1-1a            | OPEN   |



NOTES:

- ALL DIMENSIONS IN MM [INCH]
- GENERAL TOLERANCE: X.X=±0.4  
X.XX=±0.25
- TERMINAL NUMBERS FOR REF ONLY
- RATING:  
15A @125VAC; 8A @250V UL,VDE,CSA APPROVED  
6A @250VAC
- MATERIALS: (TERMINALS) SILVER PLATED COPPER  
(CONTACTS) COIN SILVER, SILVER PLATED.
- CONTACT RESISTANCE: <20 Mega
- ELECTRICAL LIFE: 10,000 cycles
- INSULATION RESISTANCE: >1000 Mega
- DIELECTRIC STRENGTH: >1500V 1 minute  
>3000V between Poles
- OPERATING TEMP. RANGE: -25°C to +85°C
- ▲ DENOTES CRITICAL PARAMETER.

| REV. | ECN No. | DESCRIPTION               | DATE     | CHKD |
|------|---------|---------------------------|----------|------|
| C    | 14397   | CORRECT TITLE             | 10/12/04 | AR   |
| B    | 14358   | GRAPHIC LOCATION, CIRCUIT | 9/28/04  | AR   |
| A    | 13179   | RELEASED FOR PRODUCTION   | 6/4/03   | AR   |

THE INFORMATION CONTAINED IN THIS DOCUMENT  
IS PROPRIETARY TO E-SWITCH AND IS  
NOT TO BE COPIED OR TRANSFERRED

|                         |        |    |         |     |
|-------------------------|--------|----|---------|-----|
| <b>E-SWITCH®</b>        |        |    |         |     |
| TITLE<br>R1966ABLKBLKAG |        |    |         |     |
| SCALE                   | DATE   | DR | DWG     | REV |
| 1.5:1                   | 6/4/03 | AR | M300005 | C   |