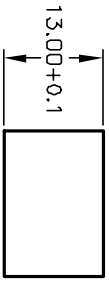
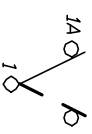


| PANEL THICKNESS | X dimension |
|-----------------------|-----------------|
| 0.75-1.25 [0.30-.049] | 19.2-.01 [7.56] |
| 1.25-2.0 [0.49-.079] | 19.4-.01 [7.64] |
| 2.0-3.0 [0.79-1.18] | 19.8-.01 [7.80] |



PANEL CUTOUT
NOT TO SCALE

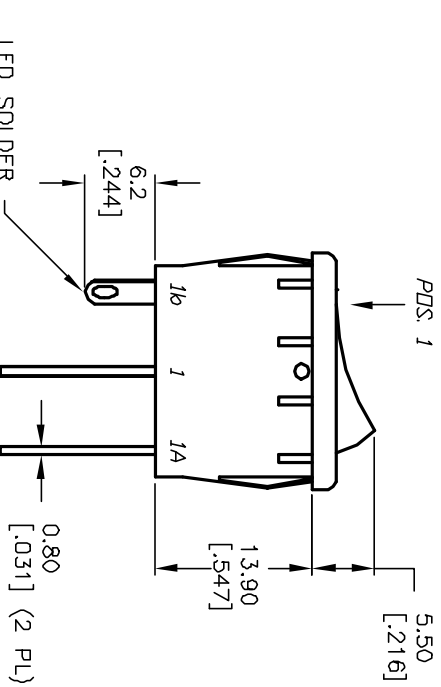
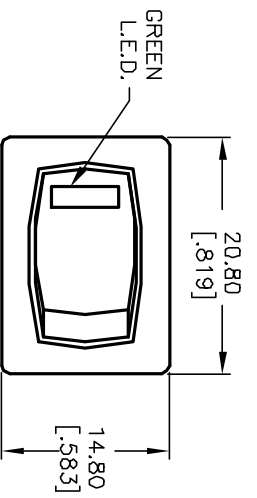
| SWITCH FUNCTION | |
|-----------------|--------|
| PDS. 1 | PDS. 2 |
| DN | OFF |
| 1-1a | OPEN |



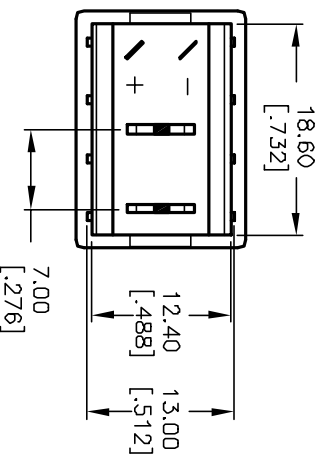
CIRCUIT: SPST

NOTES:

1. ALL DIMENSIONS IN MM [INCH]
2. GENERAL TOLERANCE: X.X=±0.4
X.XX=±0.25
3. TERMINAL NUMBERS FOR REF ONLY
4. RATING: 15A @ 125VAC OR 6A @ 250VAC
5. MATERIALS: (TERMINALS) SILVER PLATED COPPER
(CONTACTS) COIN SILVER, SILVER PLATED.
6. CONTACT RESISTANCE: <20 Mega
7. ELECTRICAL LIFE: 10,000 cycles
8. INSULATION RESISTANCE: >1000 Mega
9. DIELECTRIC STRENGTH: >1500V 1 minute
>3000V between Poles
10. OPERATING TEMP. RANGE: -25°C to +85°C

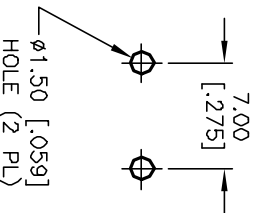
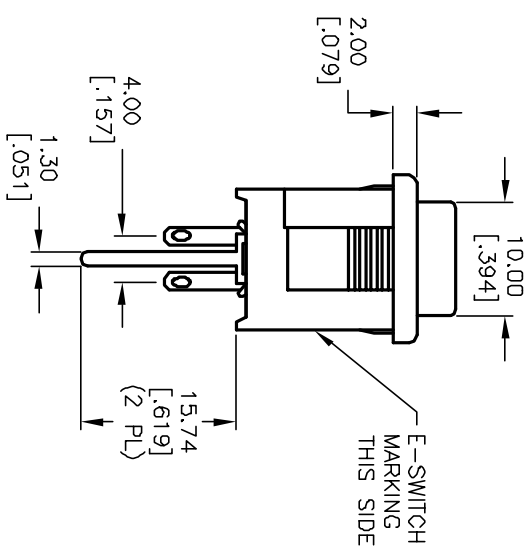


LED SOLDER TERMINALS
0.15thk x 2.00
[.006 x .078]



| PARAMETERS | SYMBOL | MAX. TYP. | UNITS |
|----------------------|-----------------|-----------|-------|
| POWER DISSIPATION | P _d | 80 | mW |
| AVE FORWARD CURRENT | I _{AF} | -- | mA |
| PEAK FORWARD CURRENT | I _{PF} | 100 | mA |
| REVERSE VOLTAGE | V _R | 5 | V |
| FORWARD VOLTAGE | V _F | 2.6 | V |
| REVERSE CURRENT | I _R | 100 | µA |
| EMISSION WAVELENGTH | λ _p | | nm |
| LUMINOUS INTENSITY | I _v | | mcđ |

YELLOW L.E.D



RECOMMENDED P.C.B. LAYOUT

| REV. | ECN No. | DESCRIPTION | DATE | CHKD | AR |
|------|---------|-------------------------|---------|------|----|
| A | 13209 | RELEASED FOR PRODUCTION | 6/13/03 | | |

| TITLE | | SCALE | DATE | DR | DWG | REV |
|-------------------|--|-------|---------|----|---------|-----|
| R1966ABLKBLKEPYEL | | 1.5:1 | 6/13/03 | AR | M300103 | A |

E-SWITCH®

THE INFORMATION CONTAINED IN THIS DOCUMENT IS PROPRIETARY TO E-SWITCH AND IS NOT TO BE COPIED OR TRANSFERRED