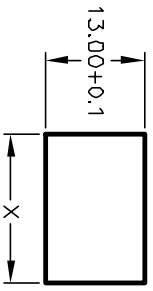
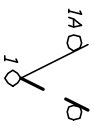


PANEL THICKNESS	X dimension
0.75-1.25 [0.30-.0491]	19.2-01 [7.561]
1.25-2.0 [0.49-.079]	19.4-01 [7.641]
2.0-3.0 [0.79-.118]	19.8-01 [7.801]



PANEL CUTOUT
NOT TO SCALE

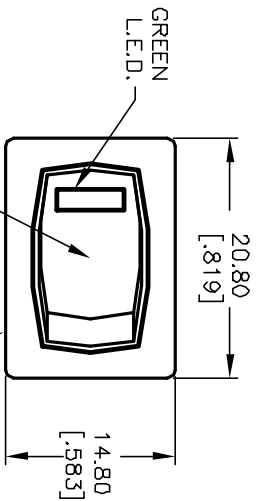
SWITCH FUNCTION	
PDS, 1	PDS, 2
DN	OFF
1-1a	DPEN



CIRCUIT: SPST

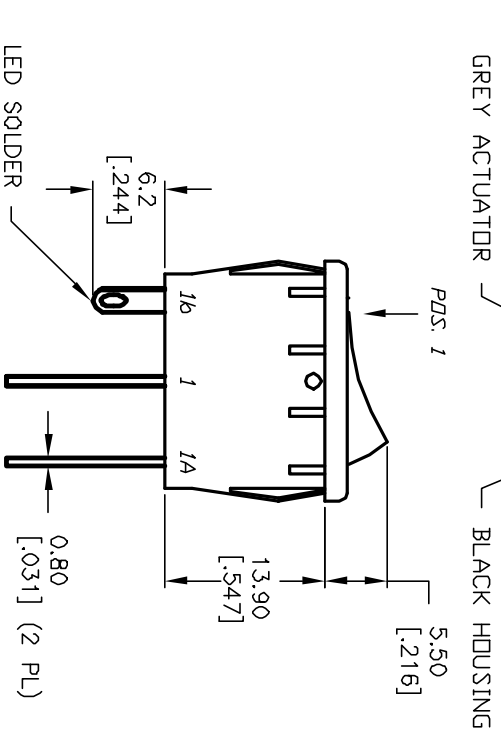
NOTES:

1. ALL DIMENSIONS IN MM [INCH]
2. GENERAL TOLERANCE: X.X=±0.4
X.XX=±0.25
3. TERMINAL NUMBERS FOR REF ONLY
4. RATING: 15A @ 125VAC OR 6A @ 250VAC
5. MATERIALS: (TERMINALS) SILVER PLATED COPPER
(CONTACTS) COIN SILVER, SILVER PLATED.
6. CONTACT RESISTANCE: <20 Mega
7. ELECTRICAL LIFE: 10,000 cycles
8. INSULATION RESISTANCE: >1000 Mega
9. DIELECTRIC STRENGTH: >1500V 1 minute
>3000V between Poles
10. OPERATING TEMP. RANGE: -25°C to +85°C

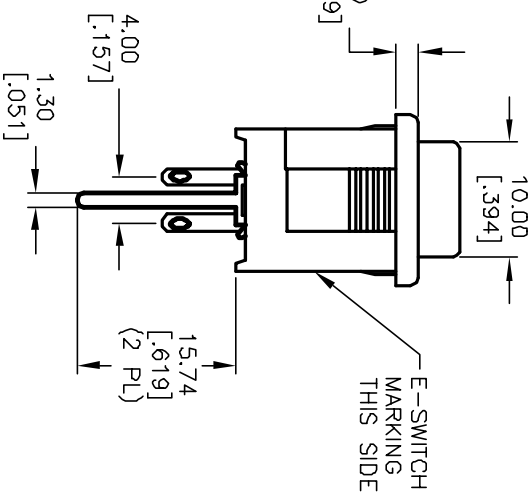
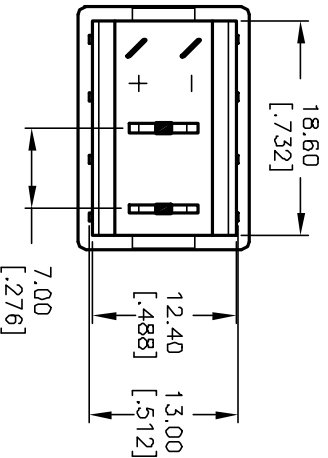


GREEN L.E.D

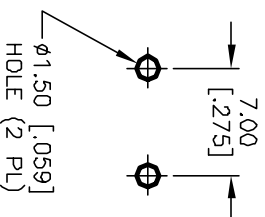
PARAMETERS	SYMBOL	MAX.	TYP.	UNITS
POWER DISSIPATION	P _d	80		mW
AVE FORWARD CURRENT	I _{AF}	--		mA
PEAK FORWARD CURRENT	I _{PF}	100		mA
REVERSE VOLTAGE	V _R	5		V
FORWARD VOLTAGE	V _F	2.6		V
REVERSE CURRENT	I _R		100	µA
EMISSION WAVELENGTH	λ _p		570	nm
LUMINOUS INTENSITY	I _v		30	mcd



LED SOLDER
TERMINALS
0.15thk x 2.00
[.006 X .078]



E-SWITCH
MARKING
THIS SIDE



RECOMMENDED P.C.B. LAYOUT

REV. B		11666		REVISED & REDRAWN		9/20/01		CJB	
REV. B		ECN No.		DESCRIPTION		DATE		CHKD	
THE INFORMATION CONTAINED IN THIS DOCUMENT IS PROPRIETARY TO E-SWITCH AND IS NOT TO BE COPIED OR TRANSFERRED									
TITLE		R1966A BLK GRY E P GRN							
SCALE		1.5:1		DATE		12/27/95		DR MM DWG M301104	
REV		B		DATE		12/27/95		DR MM DWG M301104	

