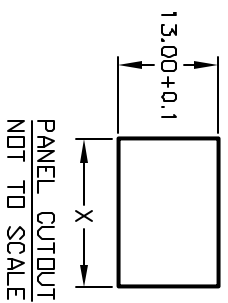
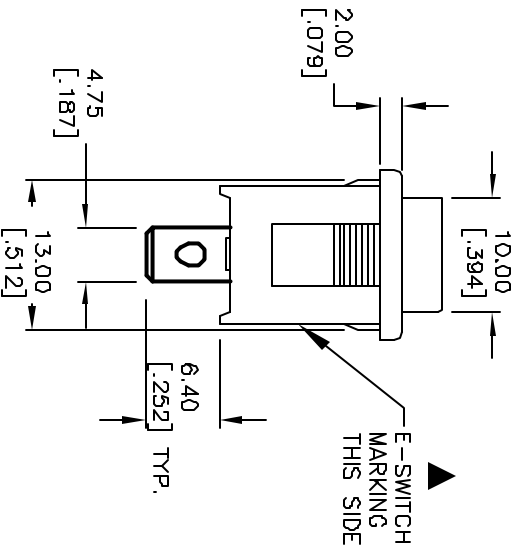
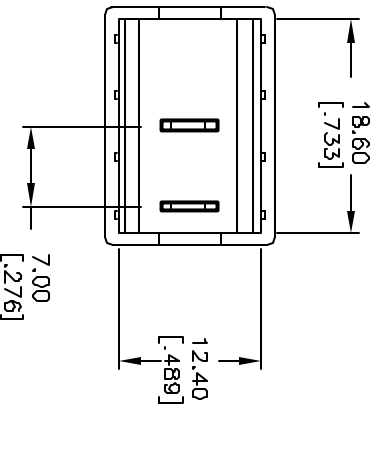
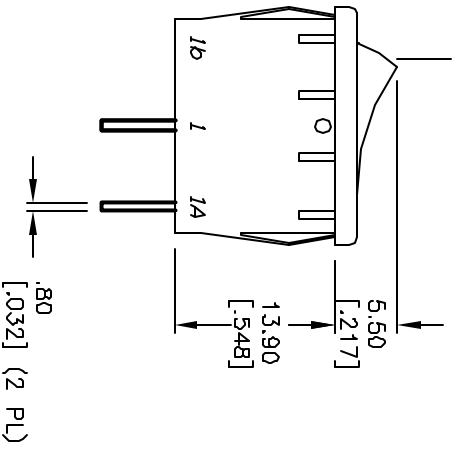
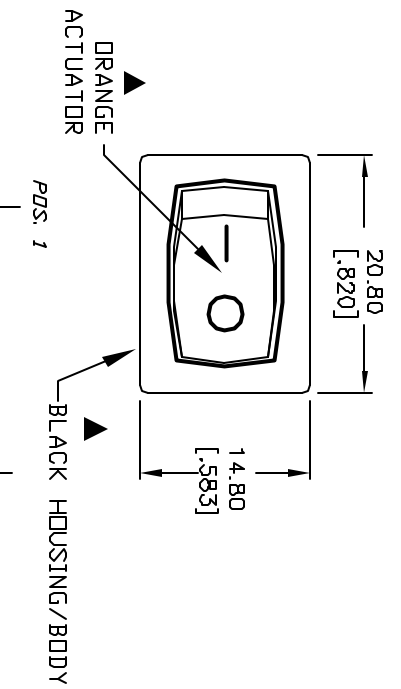
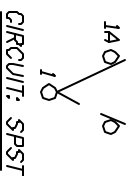


| PANEL THICKNESS | X dimension |
|------------------------|-----------------|
| 0.75-1.25 [0.030-.049] | 19.2-0.1 [7.56] |
| 1.25-2.0 [0.049-.079] | 19.4-0.1 [7.64] |
| 2.0-3.0 [0.079-.118] | 19.8-0.1 [7.80] |



| SWITCH FUNCTION | |
|-----------------|--------|
| POS. 1 | POS. 2 |
| ON | OFF |
| 1-1a | OPEN |



NOTES:

1. ALL DIMENSIONS IN MM [INCH]
2. GENERAL TOLERANCE: X.X=±0.4 X.XX=±0.25
3. TERMINAL NUMBERS FOR REF ONLY
4. RATING: 15A @ 125VAC OR 6A @ 250VAC
5. MATERIALS: TERMINALS: Silver Plated Copper Alloy CONTACTS: Coin Silver, Silver Plated
6. ELECTRICAL LIFE: 10,000 cycles
7. MECHANICAL LIFE: 15,000
8. CONTACT RESISTANCE: <10 Mega-Ohms
9. INSULATION RESISTANCE: >1000 Mega-Ohms
10. DIELECTRIC STRENGTH: >1500 V 1 minute >3000 V between poles
11. HOUSING COLOR: BLACK ACTUATOR COLOR: ORANGE TO MATCH PANTONE COLOR NUMBER 021U

| REV. | ECN NO. | DESCRIPTION | DATE | CHK'D |
|------|---------|-------------------------|---------|-------|
| B | 12292 | ADDED PANTONE COLOR NO. | 7/05/02 | RC |
| A | 12258 | RELEASED FOR PRODUCTION | 6/24/02 | CJB |

| TITLE | SCALE | DATE | DR | DWG | REV |
|-------------------|-------|---------|-----|---------|-----|
| R1966A BLK DRG FF | 1.5:1 | 6/24/02 | CJB | M301232 | B |

E-SWITCH®

THE INFORMATION CONTAINED IN THIS DOCUMENT IS PROPRIETARY TO E-SWITCH AND IS NOT TO BE COPIED OR TRANSMITTED