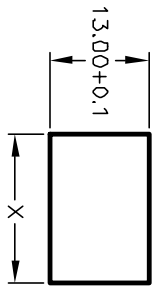
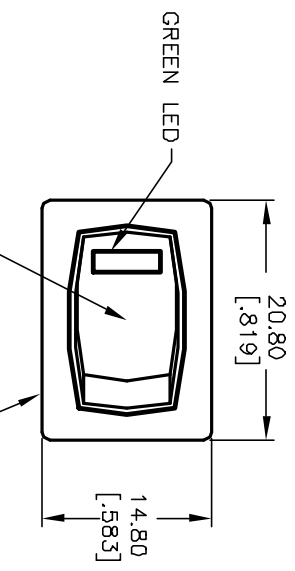


PANEL THICKNESS	X dimension
0.75-1.25 [.030-.049]	19.2-.01 [.756]
1.25-2.0 [.049-.079]	19.4-.01 [.764]
2.0-3.0 [.079-.118]	19.8-.01 [.780]



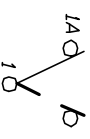
PANEL CUTOUT
NOT TO SCALE



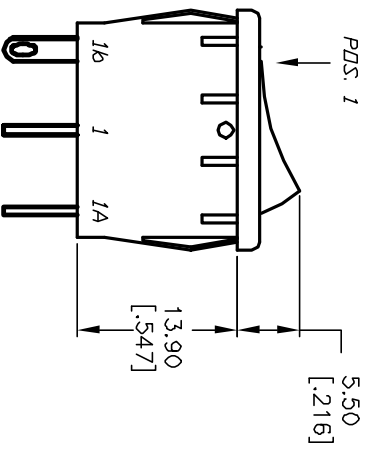
GREEN L.E.D

PARAMETERS	SYMBOL	MAX.	TYP.	UNITS
POWER DISSIPATION	P_D	80		mW
AVE FORWARD CURRENT	I_{AF}	--		mA
PEAK FORWARD CURRENT	I_{PF}	100		mA
REVERSE VOL TAGE	V_R	5		V
FORWARD VOL TAGE	V_F	2.6	2	V
REVERSE CURRENT	I_R		100	μ A
EMISSION WAVELENGTH	λ_p		570	nm
LUMINOUS INTENSITY	I_v		30	mcd

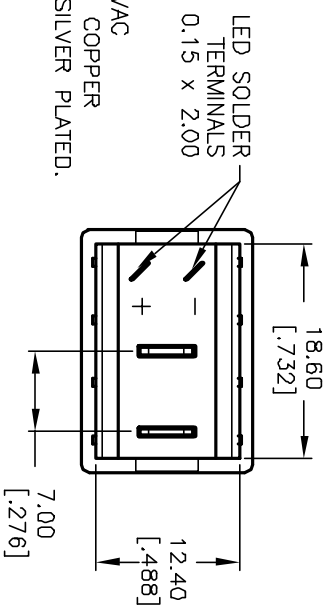
SWITCH FUNCTION	
POS. 1	POS. 2
DN	OFF
1-1a	OPEN



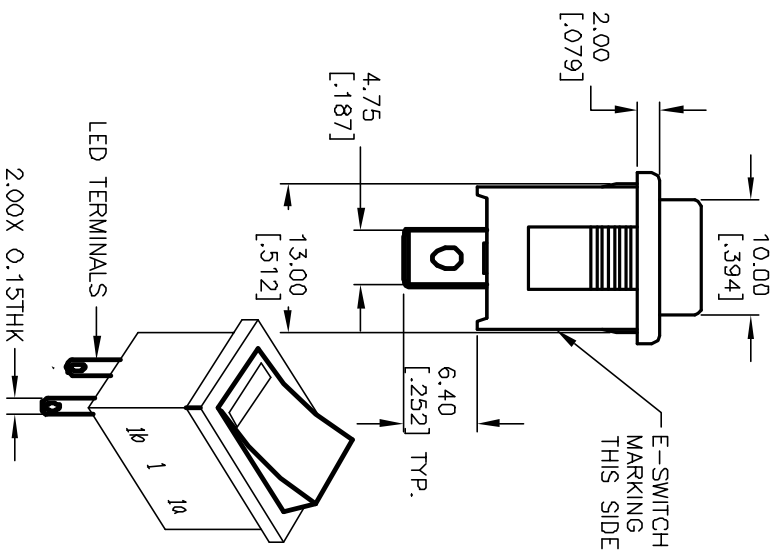
CIRCUIT: SPST



0.80 [.031] (2 PL)



- NOTES:
1. ALL DIMENSIONS IN MM [INCH]
 2. GENERAL TOLERANCE: X.X=±0.4
X.XXX=±0.25
 3. TERMINAL NUMBERS FOR REF ONLY
 4. RATING: 15A @ 125VAC OR 6A @ 250VAC
 5. MATERIALS: (TERMINALS) SILVER PLATED COPPER
(CONTACTS) COIN SILVER, SILVER PLATED.
 6. CONTACT RESISTANCE: <20 Mega
 7. ELECTRIC LIFE: 10,000 cycles
 8. INSULATION RESISTANCE: >1000 Mega
 9. DIELECTRIC STRENGTH: >1500V 1 minute
>3000V between Poles



ORTHOGRAPHIC PROJECTION
FOR CLARITY ONLY

REV.	ECN No.	DESCRIPTION	DATE	CHKD
A	12505	RELEASED	10/23/02	CJB

TITLE	SCALE	DATE	DR	DWG	REV
R1966A BLK RED E F GRN	1.5:1	10/23/02	CB	M309203	A

E-SWITCH®

THE INFORMATION CONTAINED IN THIS DOCUMENT IS PROPRIETARY TO E-SWITCH AND IS NOT TO BE COPIED OR TRANSMITTED