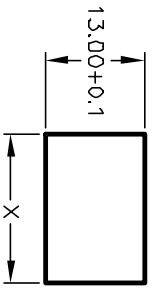
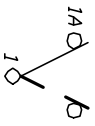


PANEL THICKNESS	X dimension
0.75-1.25 [0.30-.0491]	19.2-.01 [7.561]
1.25-2.0 [0.49-.079]	19.4-.01 [7.641]
2.0-3.0 [0.79-.118]	19.8-.01 [7.801]



PANEL CUTOUT  
NOT TO SCALE

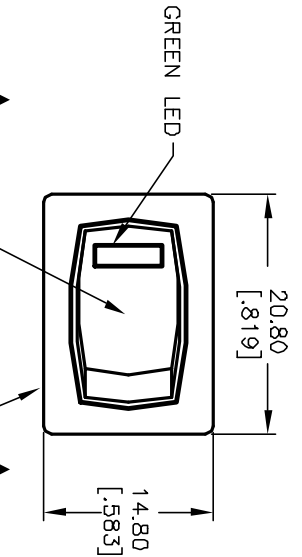
SWITCH FUNCTION	
PDS, 1	PDS, 2
DN	OFF
1-1a	DPEN



CIRCUIT: SPST

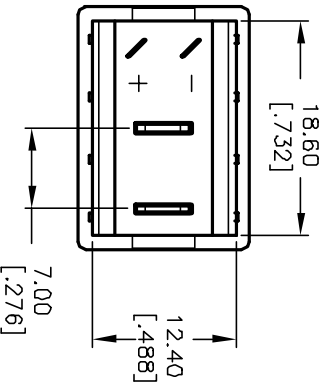
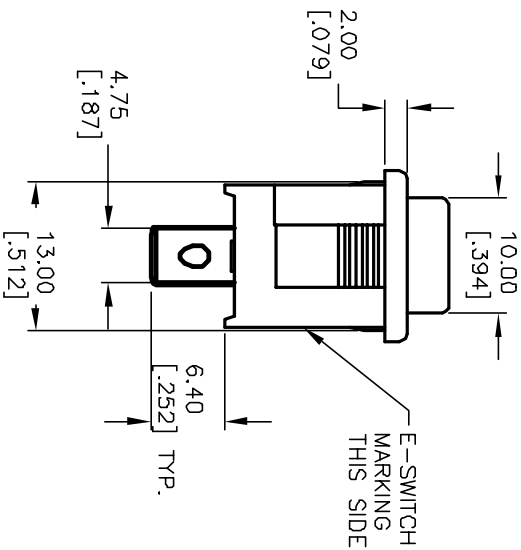
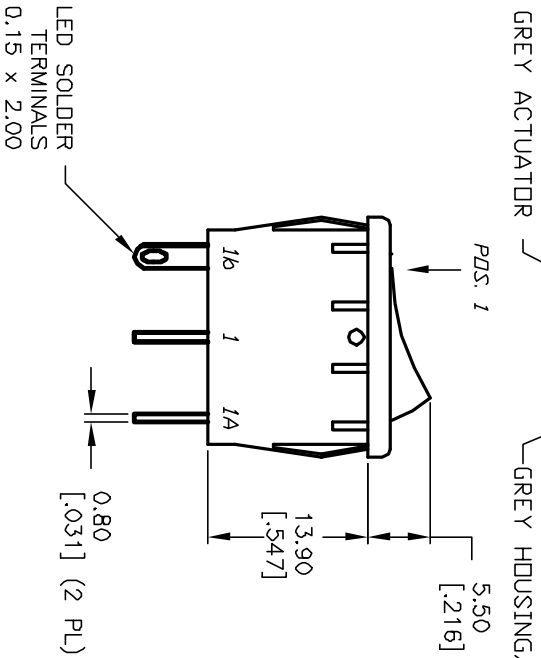
NOTES:

- ALL DIMENSIONS IN MM [INCH]
- GENERAL TOLERANCE: X,X=±0.4  
X,XX=±0.25
- TERMINAL NUMBERS FOR REF ONLY
- RATING: 15A @ 125VAC OR 6A @ 250VAC
- MATERIALS: (TERMINALS) SILVER PLATED COPPER  
(CONTACTS) COIN SILVER, SILVER PLATED.
- CONTACT RESISTANCE: <20 Mega
- ELECTRICAL LIFE: 10,000 cycles
- INSULATION RESISTANCE: >1000 Mega
- DIELECTRIC STRENGTH: >1500V 1 minute
- OPERATING TEMP. RANGE: -25°C to +85°C



GREEN L.E.D.

PARAMETERS	SYMBOL	MAX. TYP.	UNITS
POWER DISSIPATION	P <sub>D</sub>	80	mW
AVERAGE FORWARD CURRENT	I <sub>AF</sub>	--	mA
PEAK FORWARD CURRENT	I <sub>PF</sub>	100	mA
REVERSE VOLTAGE	V <sub>R</sub>	5	V
FORWARD VOLTAGE	V <sub>F</sub>	2.6	V
REVERSE CURRENT	I <sub>R</sub>	100	µA
EMISSION WAVELENGTH	λ <sub>p</sub>	570	nm
LUMINOUS INTENSITY	I <sub>v</sub>	30	mcd



REV.	ECN No.	REVISION / PART DESCRIPTION	DATE	CHKD
B	11666	REVISED / PART DESCRIPTION	9/20/01	CJB

TITLE	SCALE	DATE	DR	DWG	REV
R1966A GRY GRY E F GRN	1.5:1	6/30/00	GLG	M301230	B

**E-SWITCH®**

THE INFORMATION CONTAINED IN THIS DOCUMENT IS PROPRIETARY TO E-SWITCH AND IS NOT TO BE COPIED OR TRANSFERRED