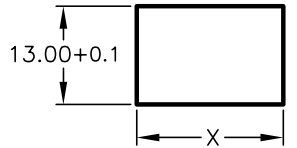
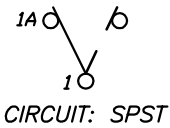


| PANEL THICKNESS | X dimension |
|-----------------------|-------------------------|
| 0.75-1.25 [.030-.049] | 19.2- <i>0.1</i> [.756] |
| 1.25-2.0 [.049-.079] | 19.4- <i>0.1</i> [.764] |
| 2.0-3.0 [.079-.118] | 19.8- <i>0.1</i> [.780] |



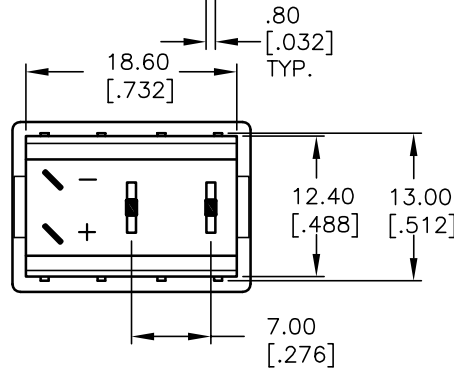
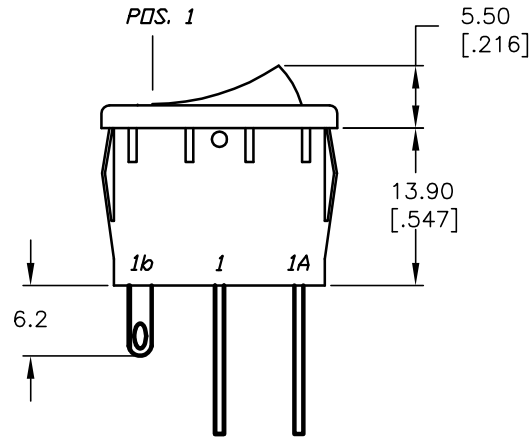
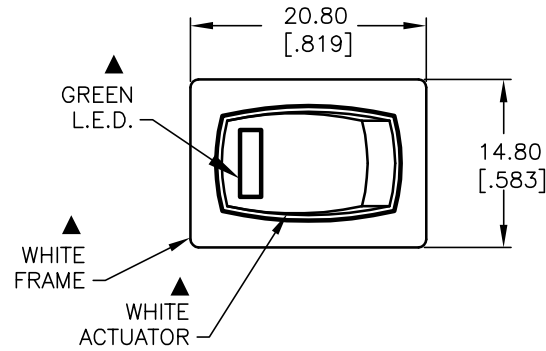
PANEL CUTOUT
NOT TO SCALE

| SWITCH FUNCTION | |
|-----------------|--------|
| POS. 1 | POS. 2 |
| ON | OFF |
| 1-1a | OPEN |



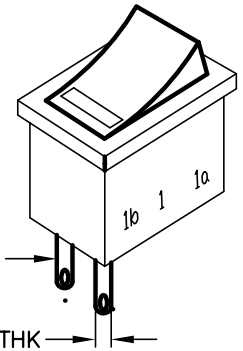
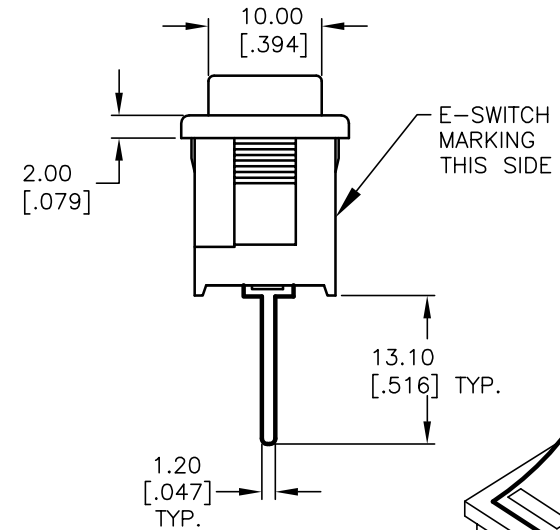
NOTES:

- ALL DIMENSIONS IN MM [INCH]
- GENERAL TOLERANCE: X.X=±0.4
X.XX=±0.25
- TERMINAL NUMBERS FOR REF ONLY
- RATING: 15A @ 125VAC OR 6A @ 250VAC
- MATERIALS: (TERMINALS) SILVER PLATED COPPER
(CONTACTS) COIN SILVER, SILVER PLATED.
- CONTACT RESISTANCE: <20 Mega
- ELECTRICAL LIFE: 10,000 cycles
- INSULATION RESISTANCE: >1000 Mega
- DIELECTRIC STRENGTH: >1500V 1 minute
>3000V between Poles
- OPERATING TEMP. RANGE: -25°C to +85°C



GREEN L.E.D

| PARAMETERS | SYMBOL | MAX. | TYP. | UNITS |
|----------------------|-----------------|------|------|-------|
| POWER DISSIPATION | P _D | 80 | | mW |
| AVE FORWARD CURRENT | I _{AF} | -- | | mA |
| PEAK FORWARD CURRENT | I _{PF} | 100 | | mA |
| REVERSE VOLTAGE | V _R | 5 | | V |
| FORWARD VOLTAGE | V _F | 2.6 | 2 | V |
| REVERSE CURRENT | I _R | | 100 | μA |
| EMISSION WAVELENGTH | λ _P | | 570 | nm |
| LUMINOUS INTENSITY | I _V | | 30 | mcd |



ORTHOGRAPHIC PROJECTION
FOR CLARITY ONLY

E-SWITCH®

| | | | | |
|-------------------|----------|----|---------|-----|
| TITLE | | | | |
| R1966AWHTWHTEPGRN | | | | |
| SCALE | DATE | DR | DWG | REV |
| 1.5:1 | 12/16/04 | AR | M301152 | A |

| | | | | |
|------|---------|-------------------------|----------|------|
| A | 14580 | RELEASED FOR PRODUCTION | 12/16/04 | AR |
| REV. | ECN No. | DESCRIPTION | DATE | CHKD |

THE INFORMATION CONTAINED IN THIS DOCUMENT
IS PROPRIETARY TO E-SWITCH AND IS
NOT TO BE COPIED OR TRANSFERRED