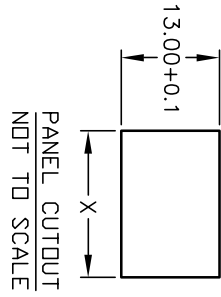
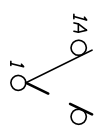


PANEL THICKNESS	X dimension
0.75-1.25 [0.30-.049]	19.2-01 [7.56]
1.25-2.0 [0.49-.079]	19.4-01 [7.64]
2.0-3.0 [0.79-.1181]	19.8-01 [7.80]



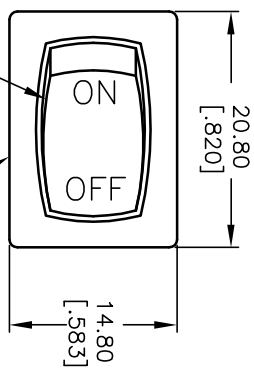
SWITCH FUNCTION	
POS. 1	POS. 2
DN	OFF
1-1a	OPEN



CIRCUIT: SPST

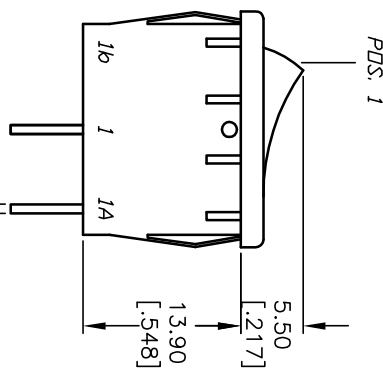
NOTES:

1. ALL DIMENSIONS IN MM [INCH]
2. GENERAL TOLERANCE: X.X=±0.4
X.XX=±0.25
3. TERMINAL NUMBERS FOR REF ONLY
4. RATING: 15A @ 125VAC OR
6A @ 250VAC
5. MATERIALS: TERMINALS: SILVER PLATED COPPER ALLOY
CONTACTS: COIN SILVER, SILVER PLATED
6. ELECTRIC LIFE: 10,000 CYCLES
7. CONTACT RESISTANCE: <20 MEGA Ω
8. INSULATION RESISTANCE: >1000 MEGA Ω
9. DIELECTRIC STRENGTH: >1500 V 1 MINUTE
>3000 V BETWEEN POLES
10. ▲ DENOTES CRITICAL PARAMETER.

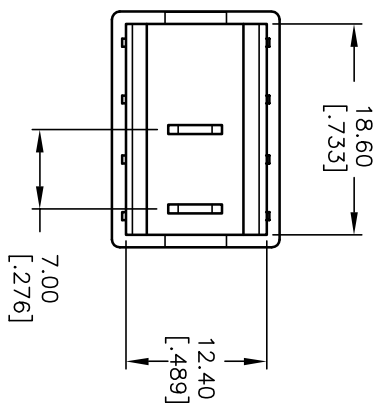
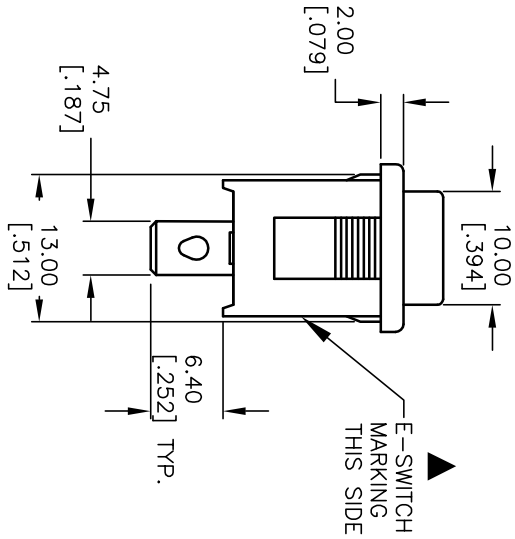
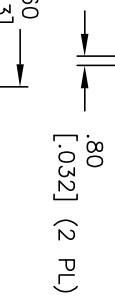


SWITCH COLOR: WHITE

HOUSING COLOR: WHITE



POS. 1



E-SWITCH®

REV.	ECN No.	DESCRIPTION	DATE	CHKD
A	13370	RELEASED FOR PRODUCTION	8/14/03	AR

TITLE	SCALE	DATE	DR	DWG	REV
R1966AWHTWH1F	1.5:1	8/14/03	AR	M301235	A

THE INFORMATION CONTAINED IN THIS DOCUMENT IS PROPRIETARY TO E-SWITCH AND IS NOT TO BE COPIED OR TRANSFERRED