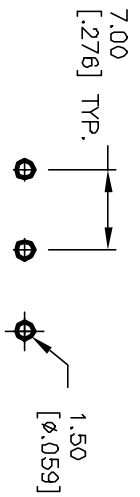
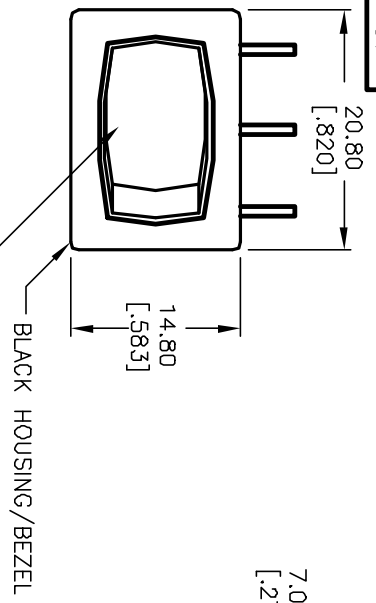


PANEL THICKNESS	X dimension
0.75-1.25 [0.30-0.49]	19.2-0.1 [7.56]
1.25-2.0 [0.49-0.79]	19.4-0.1 [7.64]
2.0-3.0 [0.79-1.18]	19.8-0.1 [7.80]



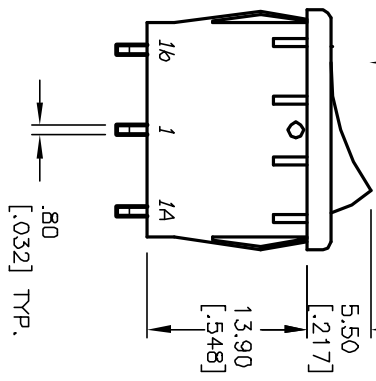
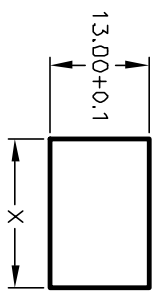
RECOMMENDED P.C.B. LAYOUT



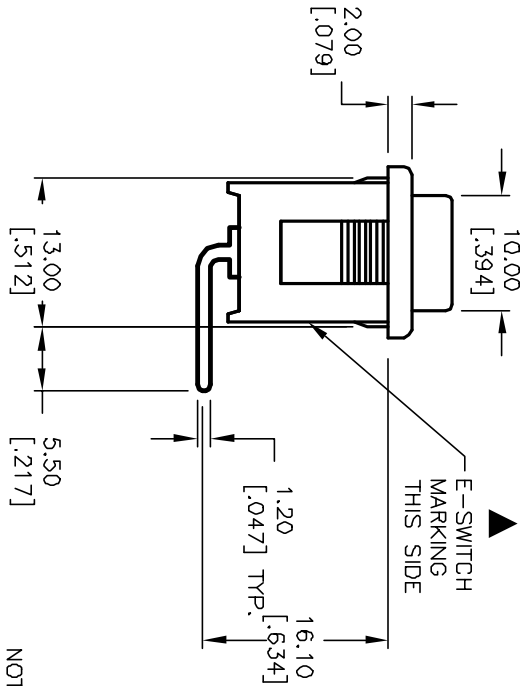
PDS, 1
RED ACTUATOR

BLACK HOUSING/BEZEL

PANEL CUTOUT
NOT TO SCALE

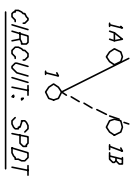


.80
[.032] TYP.



E-SWITCH MARKING THIS SIDE

SWITCH FUNCTION	PDS, 1	PDS, 2
DN	DN	DN
1-1a	OPEN	1-1b



NOTES:

1. ALL DIMENSIONS IN MM [INCH]
2. GENERAL TOLERANCE: X.X=±0.4 X.XX=±0.25
3. TERMINAL NOS. FOR REF ONLY.
4. RATING: 15A @ 125VAC OR 6A @ 250VAC
5. MATERIALS: TERMINALS: Silver Plated Copper Alloy CONTACTS: Coin Silver, Silver Plated
6. ELECTRIC LIFE: 10,000 cycles
7. CONTACT RESISTANCE: <20 Mega-OHMS
8. INSULATION RESISTANCE: >1000 Mega-OHMS
9. DIELECTRIC STRENGTH: >1500 V 1 minute >3000 V between poles

E-SWITCH®

R1966C BLK RED ER

TITLE

SCALE
1.5:1

DATE
5/7/02

DR
CB

DWG
M302212

REV
A

THE INFORMATION CONTAINED IN THIS DOCUMENT IS PROPRIETARY TO E-SWITCH AND IS NOT TO BE COPIED OR TRANSMITTED

REV.	ECN No.	DESCRIPTION	DATE	CHKD
A	12125	RELEASED FOR PRODUCTION	5/7/02	CB

