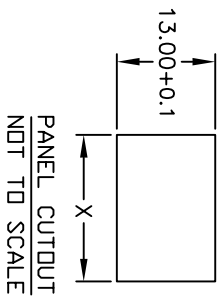
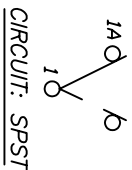


PANEL THICKNESS	X dimension
0.75-1.25 [0.30-.049]	19.2-01 [1.7561]
1.25-2.0 [0.49-.079]	19.4-01 [1.7641]
2.0-3.0 [0.79-.118]	19.8-01 [1.7801]

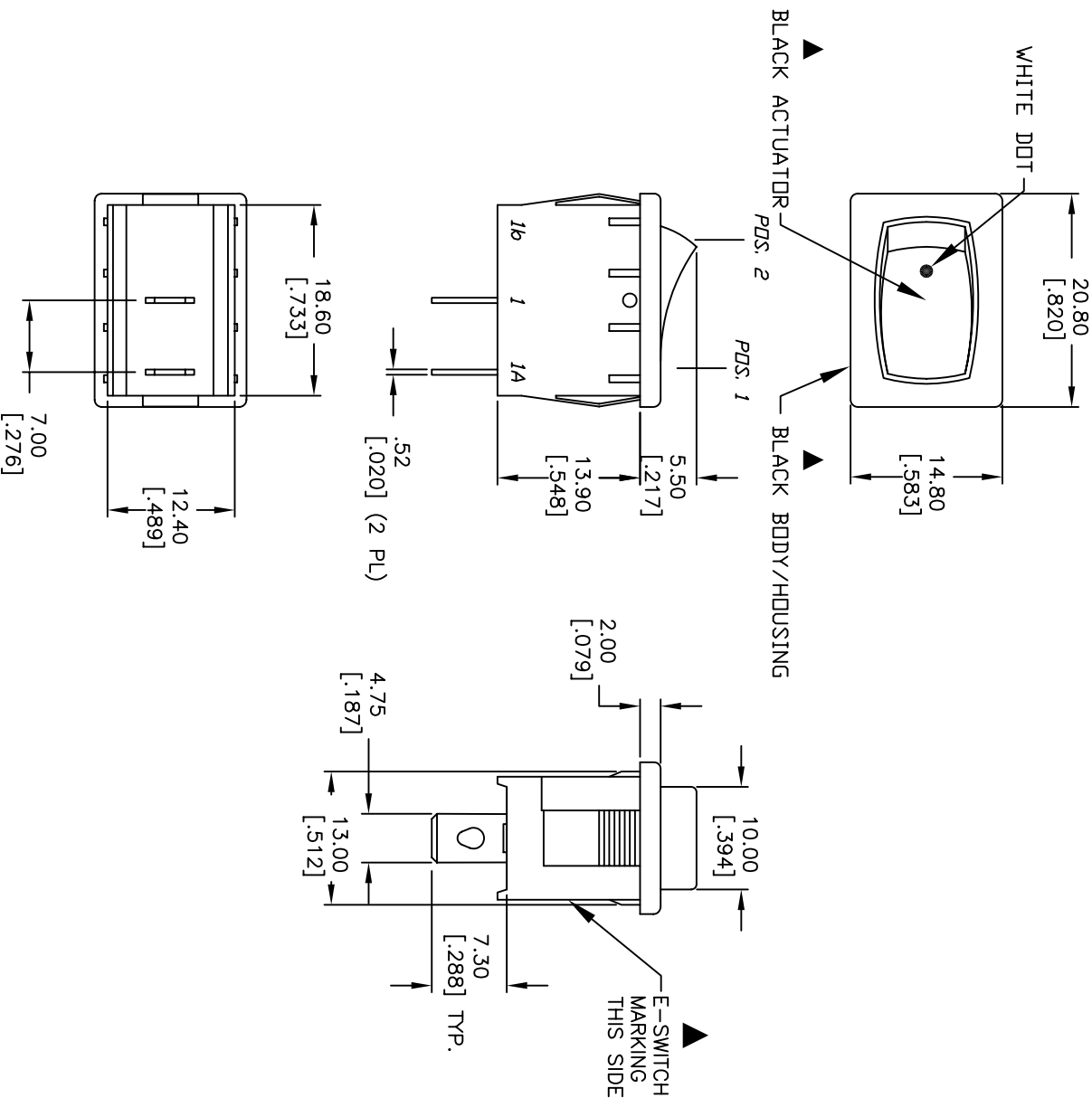


SWITCH FUNCTION	
PDS. 1	PDS. 2
OFF	(ON)
OPEN	1-1A



() = MOMENTARY

- NOTES:
1. ALL DIMENSIONS IN MM [INCH]
 2. GENERAL TOLERANCE: X.XX=±0.4
X.XX=±0.25
 3. TERMINAL NUMBERS FOR REF ONLY
 4. RATING: 15A @ 125VAC OR
6A @ 250VAC
 5. MATERIALS: TERMINALS: Silver Plated Copper Alloy
CONTACTS: Coin Silver, Silver Plated
 6. ELECTRIC LIFE: 10,000 cycles
 7. CONTACT RESISTANCE: <20 Mega Ω
 8. INSULATION RESISTANCE: >1000 Mega Ω
 9. DIELECTRIC STRENGTH: >1500 V 1 minute
>3000 V between poles
 10. 2002/95/EC (ROHS) COMPLIANT



REV.	ECN No.	DESCRIPTION	DATE	CHKD
B	17020	UPDATE NOTES, FIXED POSITION	2/22/07	TN
A	13135	RELEASED FOR PRODUCTION	5/13/03	AR

TITLE		SCALE	DATE	DR	DWG	REV
R1966FBLKBLKAG		1.5:1	2/22/07	TN	M304197	B



THE INFORMATION CONTAINED IN THIS DOCUMENT IS PROPRIETARY TO E-SWITCH AND IS NOT TO BE COPIED OR TRANSFERRED