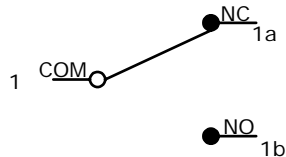


RECOMMENDED PANEL MOUNTING

PANEL THICKNESS	X
0.75-1.25	19.20-19.30
1.25-2.00	19.30-19.40
2.00-3.00	19.50-19.60

SWITCH FUNCTION		
POS. 1	POS. 2	POS. 3
ON	NONE	(ON)
1-1a	N/A	1-1b

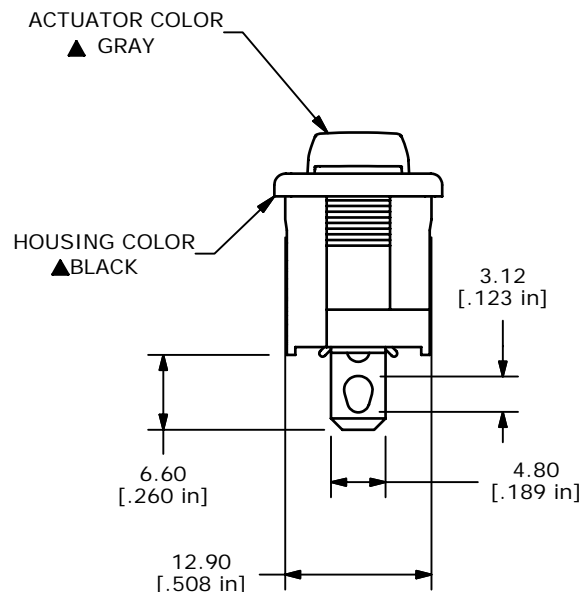
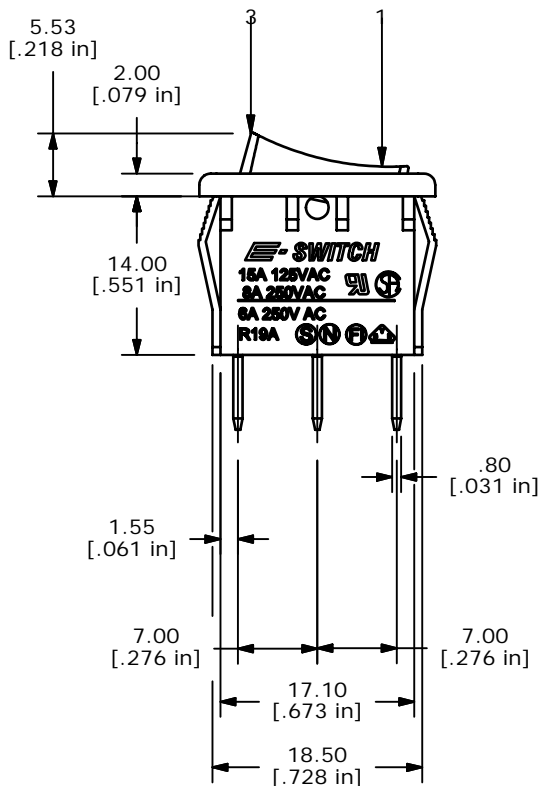
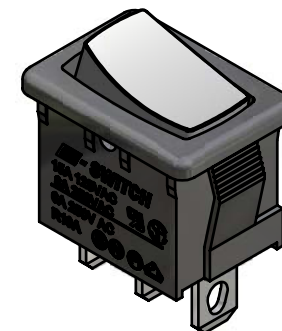
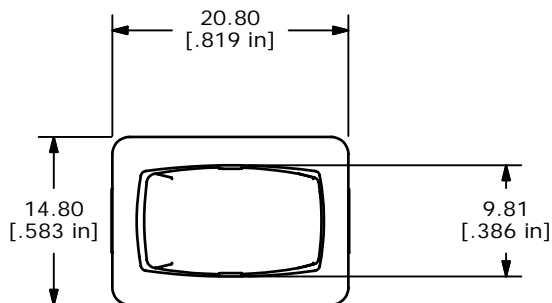
MOMENTARY (ON)



CIRCUIT: SPDT

NOTES:

- ALL DIMENSIONS IN MM [INCH]
- GENERAL TOLERANCE: X.X=±0.4  
X.XX=±0.25
- TERM. NOS. FOR REF. ONLY
- RATING: 15A @125VAC;  
8A @250VAC.
- LAMP VOLTAGE: NO LAMP
- MATERIAL:  
CONTACT SURFACE: SILVER ALLOY.  
TERMINAL: COPPER ALLOY W/SILVER PLATE
- ELECTRICAL LIFE: 10,000 CYCLES
- CONTACT RESISTANCE: <20 MILLI-OHMS INITIAL
- DIELECTRIC STRENGTH: >1,500V AC 1 MIN
- ▲ DENOTES CRITICAL PARAMETER.



ACTUATOR COLOR  
▲ GRAY

HOUSING COLOR  
▲ BLACK

**E-SWITCH®**

A	15298	DRAWING FOR DESC. IN QAD	9/20/05	PH
REV	PCR NO	DESCRIPTION	DATE	BY

TITLE R1966GBLKGRYEF				
SCALE 1.5:1	DATE 9/20/2005	DR PH	DWG M309324	REV A

THE INFORMATION CONTAINED IN THIS DOCUMENT IS PROPRIETARY TO E-SWITCH AND IS NOT TO BE COPIED OR TRANSFERRED