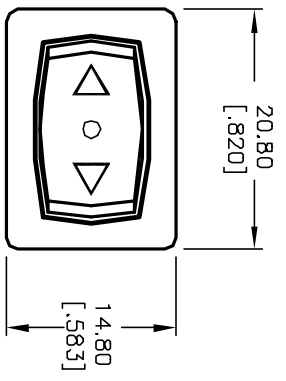
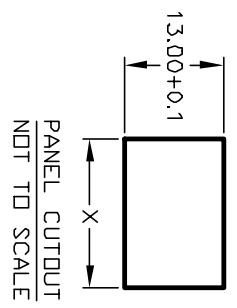
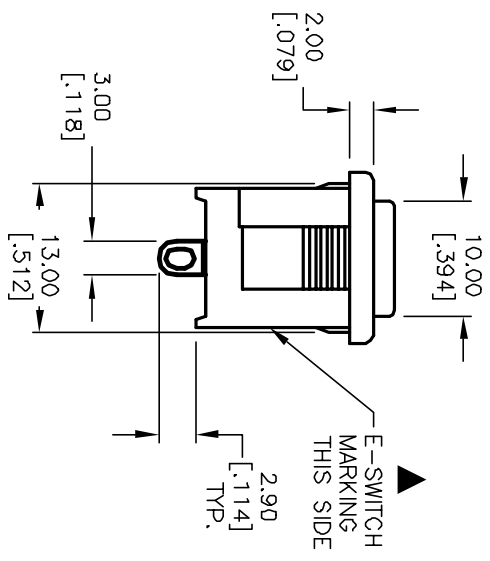
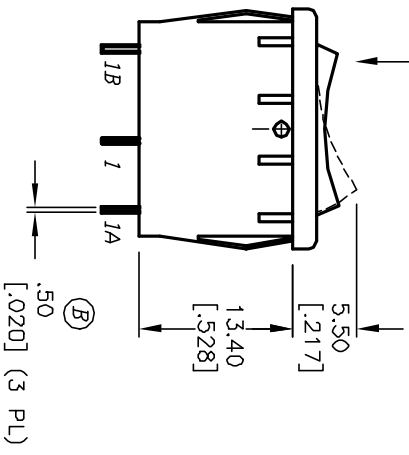


PANEL THICKNESS	X dimension
0.75-1.25 [0.30-0.49]	19.2-01 [7.56]
1.25-2.0 [0.49-0.79]	19.4-01 [7.64]
2.0-3.0 [0.79-1.18]	19.8-01 [7.80]

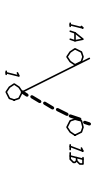


FIGS. 1



PANEL CUTOUT
NDT TO SCALE

SWITCH FUNCTION			
POS. 1	POS. 2	POS. 3	
DN	DF	(DN)	
1-1a	OPEN	1-1b	

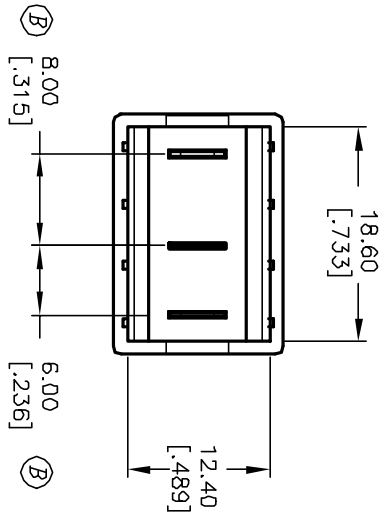


CIRCUIT: SPDT

() = MOMENTARY

NOTES:

1. ALL DIMENSIONS IN MM [INCH]
2. GENERAL TOLERANCE: X.X=±0.4 X.XX=±0.25
3. TERMINAL NUMBERS FOR REF ONLY
4. RATING: 15A @ 125VAC OR 8A @ 250VAC
5. APPROVALS: UL, CSA, NEMKO, SEMKO, FEMKO, DEMKO
6. MATERIALS: TERMINALS: Silver Plated Copper Alloy CONTACTS: Coin Silver, Silver Plated
7. ELECTRIC LIFE: 10,000 cycles
8. CONTACT RESISTANCE: <20 MILLI-Ohms
9. INSULATION RESISTANCE: >1000 Mega-Ohm
10. DIELECTRIC STRENGTH: >1500 VAC 1 minute



REV.	ECN No.	DESCRIPTION	DATE	CHKD
B	12297	REVISED DIMENSION/NOTES	7/9/02	CJB
A	12118	RELEASED FOR PRODUCTION	5/3/02	CJB

TITLE	SCALE	DATE	DR	DWG	REV
R1966H BLK BLK HS	1.5:1	5/3/02	CB	M301237	B

E-SWITCH®

THE INFORMATION CONTAINED IN THIS DOCUMENT IS PROPRIETARY TO E-SWITCH AND IS NOT TO BE COPIED OR TRANSFERRED