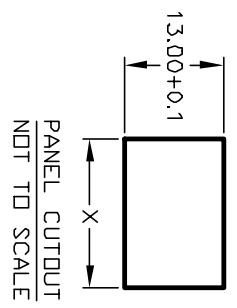
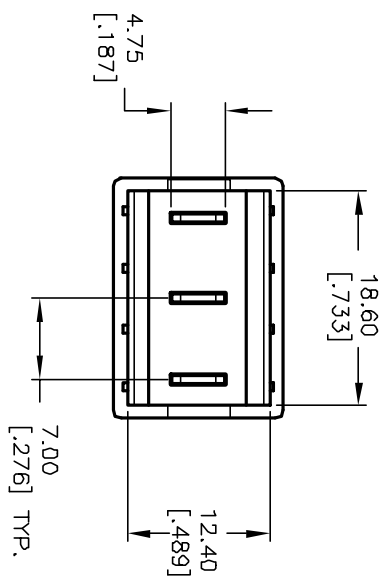
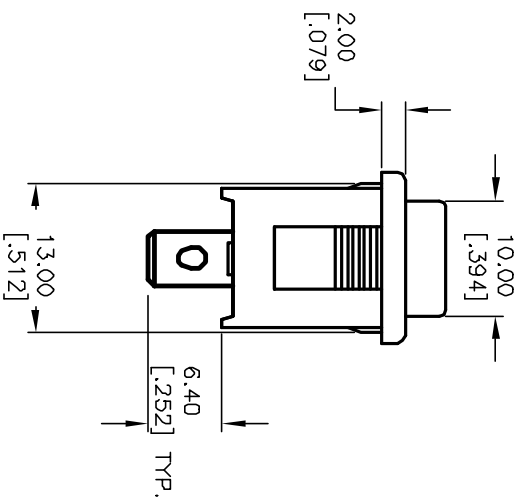
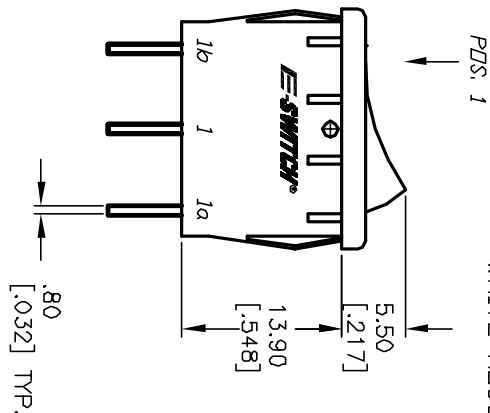
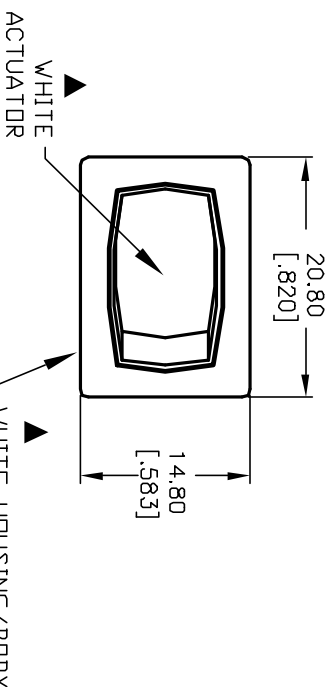
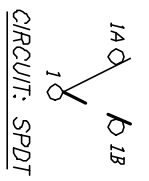


PANEL THICKNESS	X dimension
0.75-1.25 [0.30-.049]	19.2- <i>a1</i> [7.56]
1.25-2.0 [0.49-.079]	19.4- <i>a1</i> [7.64]
2.0-3.0 [0.79-.118]	19.8- <i>a1</i> [7.80]



SWITCH FUNCTION		
POS. 1	POS. 2	POS. 3
DN	OFF	<DN>
1-1a	OPEN	1-1b



NOTES:

1. ALL DIMENSIONS IN MM [INCH]
2. GENERAL TOLERANCE: X.X=±0.4
X.XX=±0.25
3. TERMINAL NOS. FOR REF ONLY.
4. RATING: 15A @ 125VAC OR
6A @ 250VAC
5. MATERIALS: TERMINALS: Silver Plated Copper Alloy
CONTACTS: Coin Silver, Silver Plated
6. ELECTRIC LIFE: 10,000 cycles
7. CONTACT RESISTANCE: <20 milli Ω
8. INSULATION RESISTANCE: >1000 Mega Ω
9. DIELECTRIC STRENGTH: >1500 V 1 minute
>3000 V between poles

E-SWITCH®

R1966H WHT WHT EF

REV.	ECN No.	DESCRIPTION	DATE	CHKD
A	12727	RELEASED FOR PRODUCTION	1/14/03	CJB

TITLE	SCALE	DATE	DR	DWG	REV
R1966H WHT WHT EF	1.5:1	1/14/03	MM	M301233	A

THE INFORMATION CONTAINED IN THIS DOCUMENT IS PROPRIETARY TO E-SWITCH AND IS NOT TO BE COPIED OR TRANSFERRED