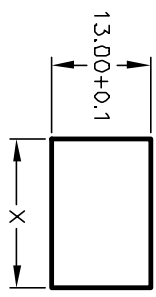


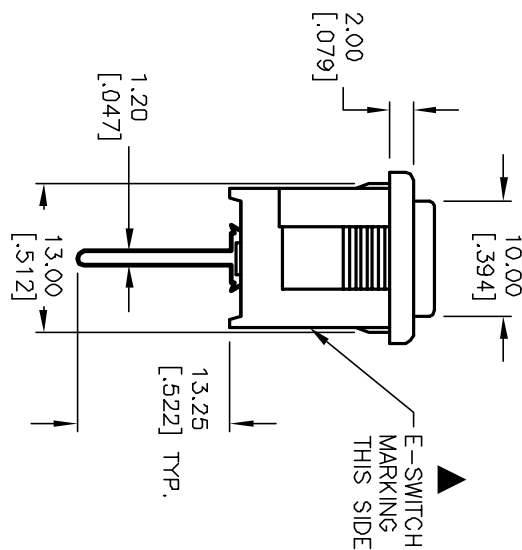
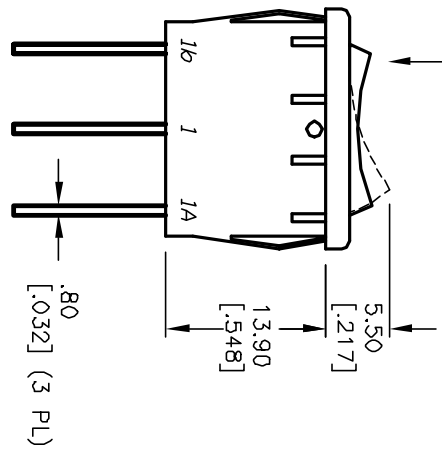
RECOMMENDED P.C.B. LAYOUT

PANEL THICKNESS	X dimension
0.75-1.25 [.030-.049]	19.2-.01 [.756]
1.25-2.0 [.049-.079]	19.4-.01 [.764]
2.0-3.0 [.079-.118]	19.8-.01 [.780]

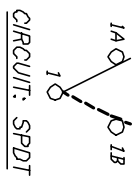


PANEL CUTOUT  
NDT TO SCALE

FIGS. 1



SWITCH FUNCTION		
POS. 1	POS. 2	POS. 3
(DN)	DF	(DN)
1-1a	OPEN	1-1b



CIRCUIT: SPDT

NOTES:

1. ALL DIMENSIONS IN MM [INCH]
2. GENERAL TOLERANCE: X.X=±0.4  
X.XX=±0.25
3. TERMINAL NUMBERS FOR REF ONLY
4. RATING: 15A @ 125VAC OR  
6A @ 250VAC
5. MATERIALS: TERMINALS: Silver Plated Copper Alloy  
CONTACTS: Coin Silver, Silver Plated
6. ELECTRIC LIFE: 10,000 cycles
7. CONTACT RESISTANCE: <20 Mega-OHM
8. INSULATION RESISTANCE: >1000 Mega-OHM
9. DIELECTRIC STRENGTH: >1500 V 1 minute  
>3000 V between poles

**E-SWITCH®**

R19661 BLK BLK EP

REV.	ECN No.	DESCRIPTION	DATE	CHKD
B	12061	REVISED AND REDRAWN	4/16/02	CJB

TITLE	SCALE	DATE	DR	DWG	REV
R19661 BLK BLK EP	1.5:1	4/16/02	CB	M306207	B

THE INFORMATION CONTAINED IN THIS DOCUMENT IS PROPRIETARY TO E-SWITCH AND IS NOT TO BE COPIED OR TRANSFERRED