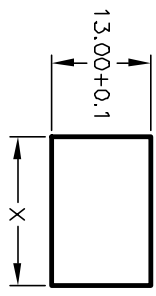
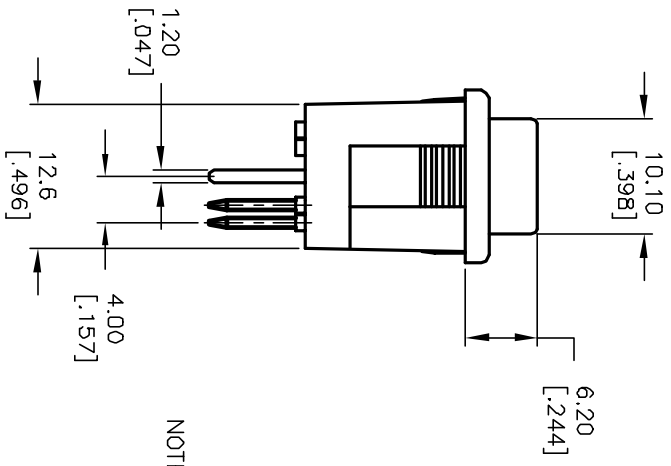
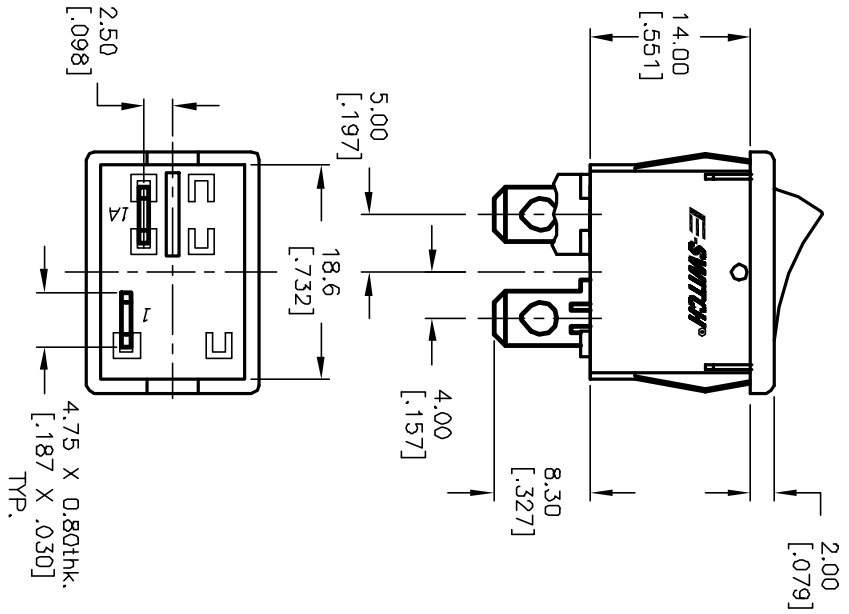


ON-OFF SYMBOL
MOLDED INTO HOUSING



PANEL CUTOUT
NOT TO SCALE

PANEL THICKNESS	X dimension
0.75-1.25 [0.30-.049]	19.2-02 [1.7561]
1.25-2.0 [0.49-.079]	19.4-02 [1.7641]
2.0-3.0 [0.79-.118]	19.8-02 [1.7801]



CIRCUIT: SPST

NOTES:

1. ALL DIMENSIONS IN MM [INCH]
2. GENERAL TOLERANCE: X.X=±0.4
X.XX=±0.25
3. RATING:
6A @250VAC;9A @125VAC (UL, CSA, VDE)
4(1)A @250VAC
4. MATERIAL:
CONTACT SURFACE: Coin Silver, Silver Plate
TERMINAL: Copper Alloy W/ Silver Plate.
5. CONTACT RESISTANCE: 20MILLIOHMS TYP. INITIAL
6. INSULATION RESISTANCE: 1000Megohms
7. DIELECTRIC STRENGTH:
>1500V RMS min. @SEA LEVEL
>3000V RMS @SEA LEVEL
8. MECHANICAL LIFE: 50,000 CYCLES.
9. ELECTRICAL LIFE: 10,000 CYCLES.



C	11330	REMOVED TABULATION	10/03/01	CJB
REV.	ECN No.	DESCRIPTION	DATE	CHKD

TITLE	SCALE	DATE	DR	DWG	REV
R19734 BLK BLK FFO	1.5:1	2/21/01	CJB	M400006	C

THE INFORMATION CONTAINED IN THIS DOCUMENT IS PROPRIETARY TO E-SWITCH AND IS NOT TO BE COPIED OR TRANSFERRED