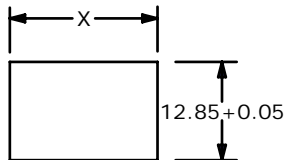


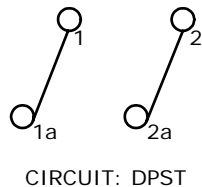
▲ NEON BULB

| PARAMETERS               | SYMBOL         | MAX. | UNITS |
|--------------------------|----------------|------|-------|
| LAMP VOLTAGE (AC)        | V              | 125  | V     |
| STARTUP VOLTAGE          | V <sub>s</sub> | 95   | V     |
| CURRENT                  | I              | 0.8  | mA    |
| SERIES RESISTANCE (125V) | R              | 120  | OMHS  |



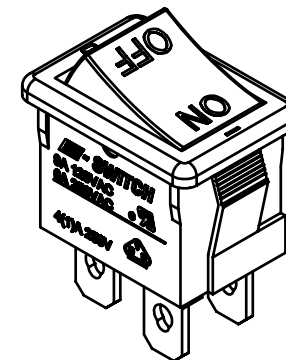
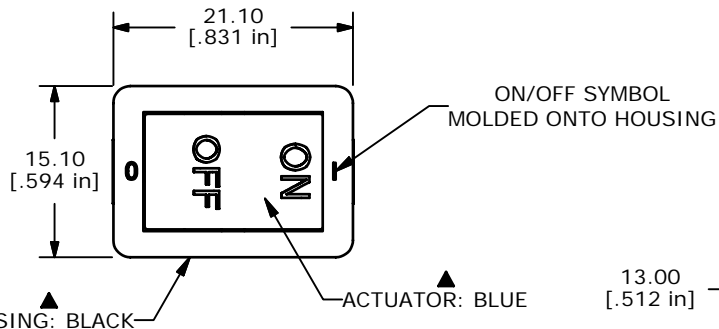
RECOMMENDED PANEL MOUNTING

| PANEL THICKNESS | X         |
|-----------------|-----------|
| 0.75-1.25       | 19.2-19.3 |
| 1.25-2.00       | 19.3-19.4 |
| 2.00-3.00       | 19.5-19.6 |

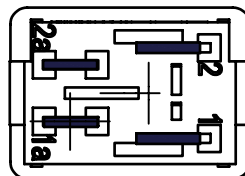
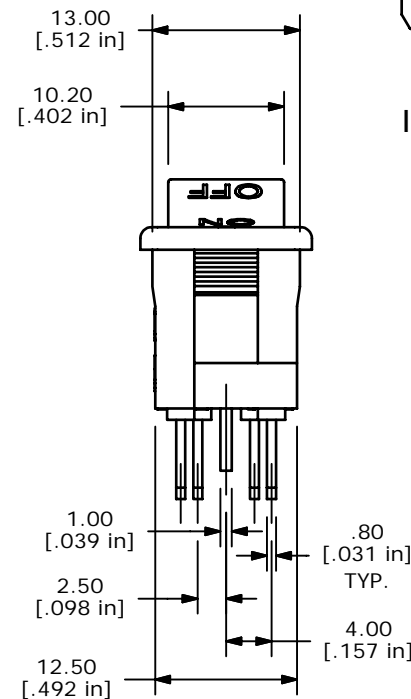
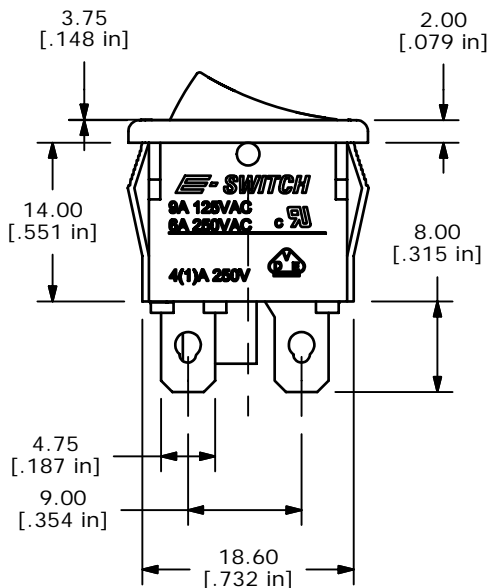


NOTES:

1. ALL DIMENSIONS IN MM [INCH]
2. GENERAL TOLERANCE: X.X=±0.4  
X.XX=±0.25
3. RATING:  
6A @250VAC; 9A @125VAC (UL, CSA, VDE)
- ▲ 4. LAMP VOLTAGE: 250VAC (NEON BULB)
5. MATERIAL:  
CONTACT SURFACE: COIN SILVER, SILVER PLATE  
TERMINAL: COPPER ALLOY W/SILVER PLATE.
6. CONTACT RESISTANCE: 20 MILLI-OHMS TYP. INITIAL
7. INSULATION RESISTANCE: 1000 MEGA-OHMS
8. DIELECTRIC STRENGTH:  
>1500V RMS min. @SEA LEVEL
9. MECHANICAL LIFE: 30,000 CYCLES.
10. ELECTRICAL LIFE: 10,000 CYCLES
11. ▲ DENOTES CRITICAL PARAMETER.
12. 2002/95/EC (ROHS) COMPLIANT



ISOMETRIC



TITLE R1973BBLKBILIF2

|     |        |                         |           |    |
|-----|--------|-------------------------|-----------|----|
| A   | 16989  | RELEASED FOR PRODUCTION | 2/13/2007 | TN |
| REV | PCR NO | DESCRIPTION             | DATE      | BY |

|       |           |    |         |     |
|-------|-----------|----|---------|-----|
| SCALE | DATE      | DR | DWG     | REV |
| 1.5:1 | 2/12/2007 | TN | M400097 | A   |

THE INFORMATION CONTAINED IN THIS DOCUMENT IS PROPRIETARY TO E-SWITCH AND IS NOT TO BE COPIED OR TRANSFERRED