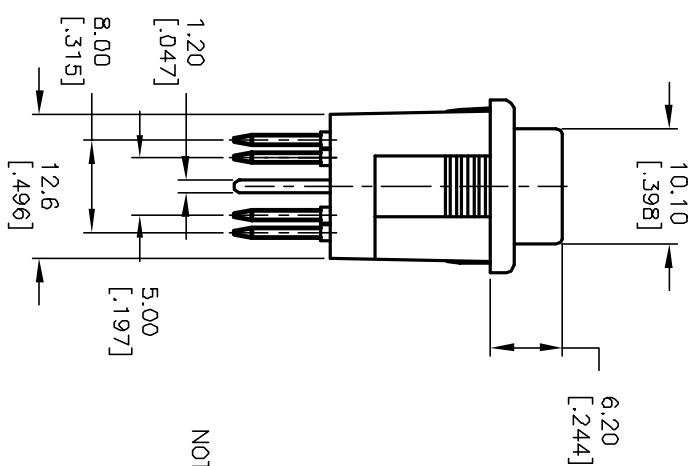
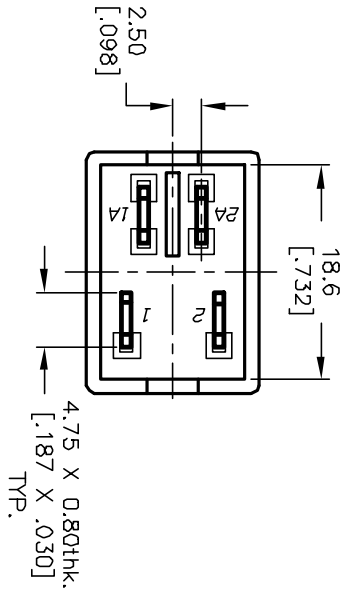
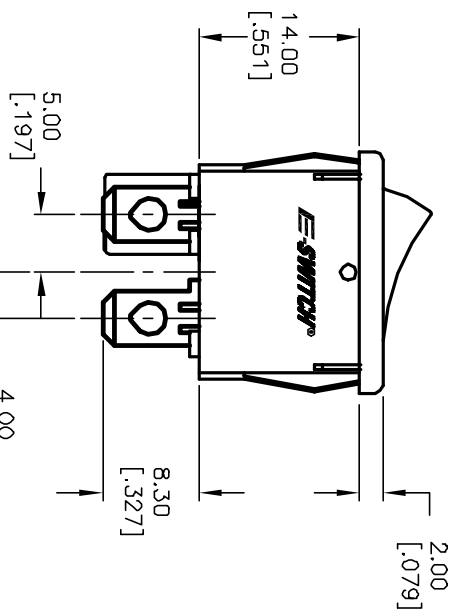
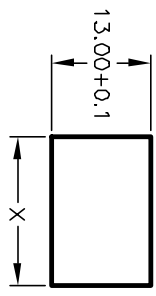


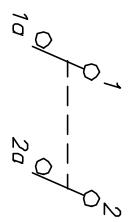
ON-OFF SYMBOL  
MOLDED INTO HOUSING



| PANEL THICKNESS       | X dimension      |
|-----------------------|------------------|
| 0.75-1.25 [0.30-.049] | 19.2-01 [0.7561] |
| 1.25-2.0 [0.49-.079]  | 19.4-01 [0.7641] |
| 2.0-3.0 [0.79-.118]   | 19.8-01 [0.7801] |



PANEL CUTOUT  
NOT TO SCALE



CIRCUIT: DPST

NOTES:

1. ALL DIMENSIONS IN MM [INCH]
2. GENERAL TOLERANCE: X.X=±0.4  
X.XX=±0.25
3. RATING:  
6A @250VAC;9A @125VAC (UL, CSA, VDE)  
4(1)A @250VAC
4. MATERIAL:  
CONTACT SURFACE: Coin Silver, Silver Plate  
TERMINAL: Copper Alloy W/ Silver Plate.
5. CONTACT RESISTANCE: 20MILLIOHMS TYP. INITIAL
6. INSULATION RESISTANCE: 1000MEGohms
7. DIELECTRIC STRENGTH:  
>1500V RMS min. @SEA LEVEL  
>3000V RMS @SEA LEVEL
8. MECHANICAL LIFE: 50,000 CYCLES.
9. ELECTRICAL LIFE: 10,000 CYCLES.

**E-SWITCH®**

|  |         |                    |          |      |
|--|---------|--------------------|----------|------|
| REV.   | ECN No. | REVISION & REDRAWN | DATE     | CHKD |
| B  | 11330   | DESCRIPTION        | 10/01/01 | CJB  |
| THE INFORMATION CONTAINED IN THIS DOCUMENT IS PROPRIETARY TO E-SWITCH AND IS NOT TO BE COPIED OR TRANSFERRED |         |                    |          |      |

|                    |       |         |    |         |     |
|--------------------|-------|---------|----|---------|-----|
| TITLE              | SCALE | DATE    | DR | DWG     | REV |
| R1973B BLK BLK AF0 | 1.5:1 | 5/20/97 | MM | M400013 | B   |