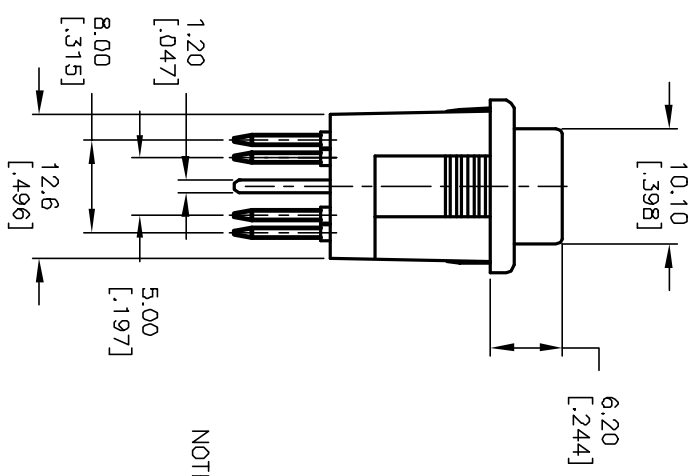
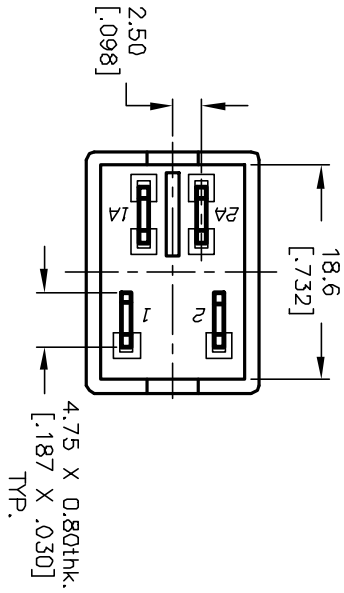
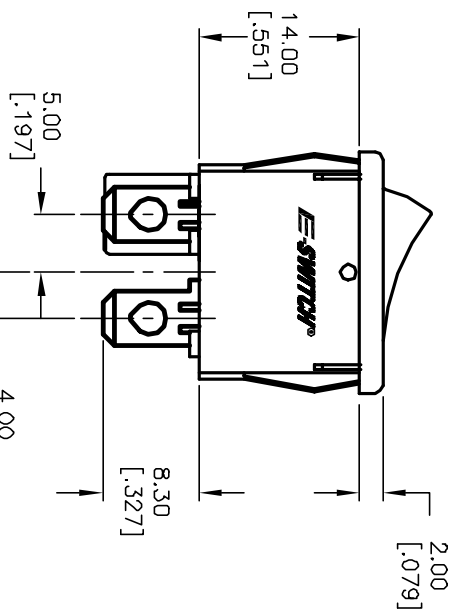
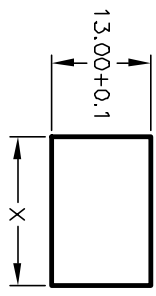


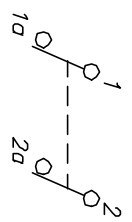
ON-OFF SYMBOL
MOLDED INTO HOUSING



| PANEL THICKNESS | X dimension |
|-----------------------|------------------|
| 0.75-1.25 [0.30-.049] | 19.2-01 [0.7561] |
| 1.25-2.0 [0.49-.079] | 19.4-01 [0.7641] |
| 2.0-3.0 [0.79-.118] | 19.8-01 [0.7801] |



PANEL CUTOUT
NOT TO SCALE



CIRCUIT: DPST

NOTES:

1. ALL DIMENSIONS IN MM [INCH]
2. GENERAL TOLERANCE: X.X=±0.4
X.XX=±0.25
3. RATING:
6A @250VAC;9A @125VAC (UL, CSA, VDE)
4(1)A @250VAC
4. MATERIAL:
CONTACT SURFACE: Coin Silver, Silver Plate
TERMINAL: Copper Alloy W/ Silver Plate.
5. CONTACT RESISTANCE: 20MILLIOHMS TYP. INITIAL
6. INSULATION RESISTANCE: 1000MEGohms
7. DIELECTRIC STRENGTH:
>1500V RMS min. @SEA LEVEL
>3000V RMS @SEA LEVEL
8. MECHANICAL LIFE: 50,000 CYCLES.
9. ELECTRICAL LIFE: 10,000 CYCLES.

E-SWITCH®

| | | | | |
|------|---------|--------------------|----------|------|
| REV. | ECN No. | REVISION & REDRAWN | DATE | CHKD |
| B | 11330 | DESCRIPTION | 10/01/01 | CJB |

| | | | | | |
|--------------------|-------|---------|----|---------|-----|
| TITLE | SCALE | DATE | DR | DWG | REV |
| R1973B BLK BLK GF0 | 1.5:1 | 5/20/97 | MM | M400011 | B |

THE INFORMATION CONTAINED IN THIS DOCUMENT IS PROPRIETARY TO E-SWITCH AND IS NOT TO BE COPIED OR TRANSFERRED