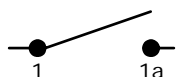


RECOMMENDED PANEL MOUNTING

PANEL THICKNESS	X± 0.05
0.75-1.25	29.65
1.25-2.00	30.15
2.00-3.00	30.50

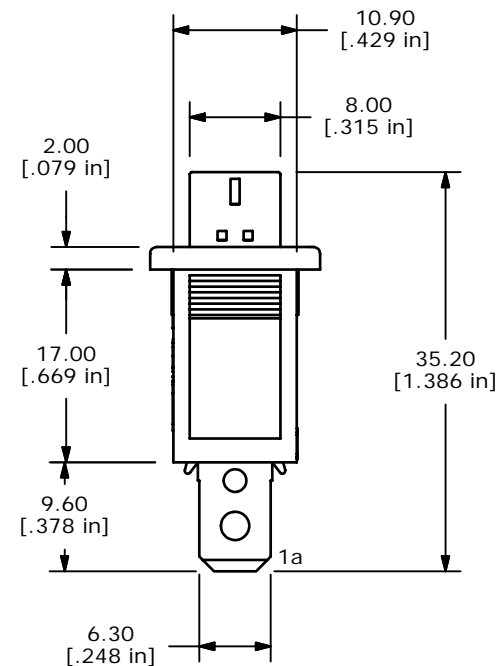
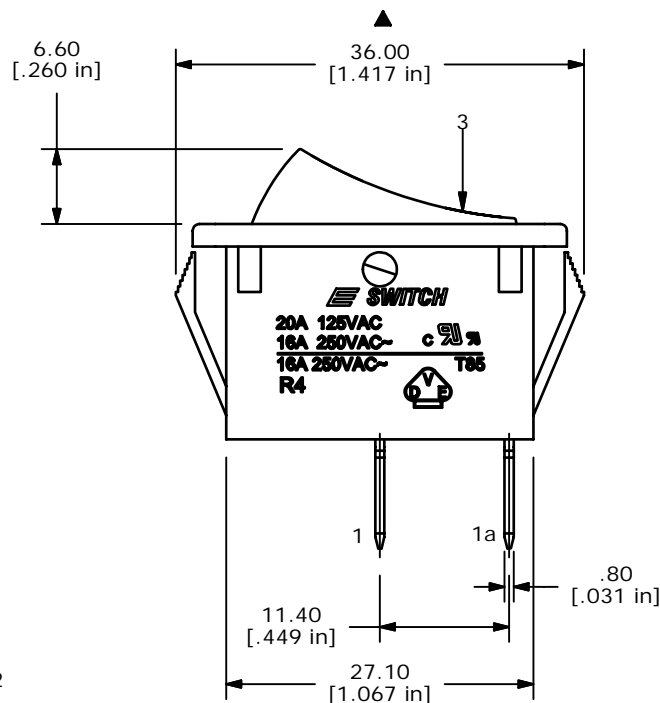
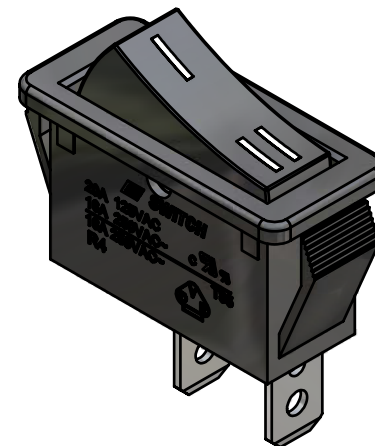
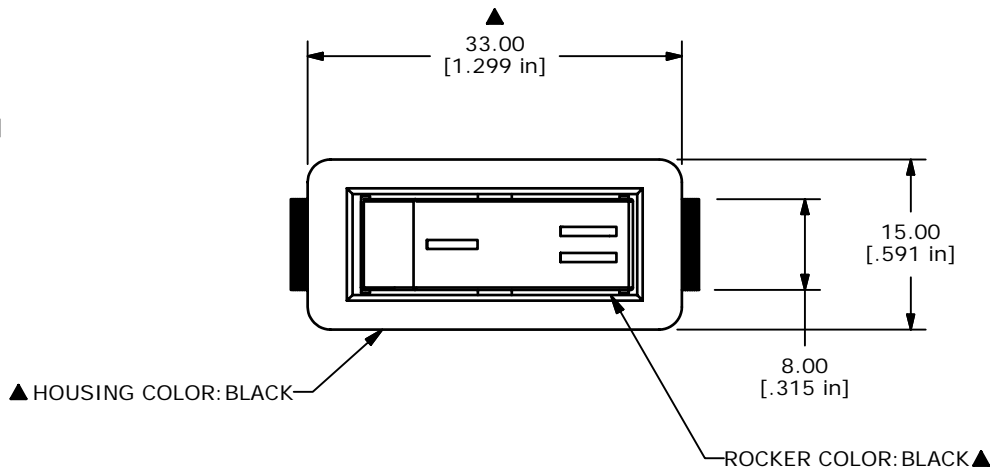


CIRCUIT: SPST

SWITCH FUNCTION		
POS. 1	POS. 2	POS. 3
ON	N/A	OFF
1-1a	NONE	OPEN

NOTES:

1. ALL DIMENSIONS IN MM [INCH]
2. GENERAL TOLERANCE: X.X=± 0.4  
X.XX=± 0.25
3. TERM. NOS. FOR REF. ONLY
4. RATING: 20A 125VAC, 16A 250VAC
5. MATERIAL: BODY & ROCKER, NYLON 6/6 UL94 V-2
- ▲ 6. LAMP VOLTAGE: NONE
7. ▲ DENOTES CRITICAL PARAMETER.
8. 2002/95/EC (ROHS) COMPLIANT



**E-SWITCH®**

TITLE R4ABLKBLKDF0

B	15916	REVISE AND REDRAWN	3/30/06	PH
REV	PCR NO	DESCRIPTION	DATE	BY

SCALE	DATE	DR	DWG	REV
1.5:1	3/30/2006	--	M040218	B

THE INFORMATION CONTAINED IN THIS DOCUMENT IS PROPRIETARY TO E-SWITCH AND IS NOT TO BE COPIED OR TRANSFERRED