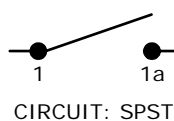


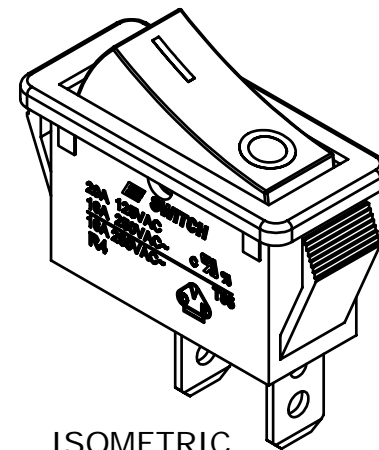
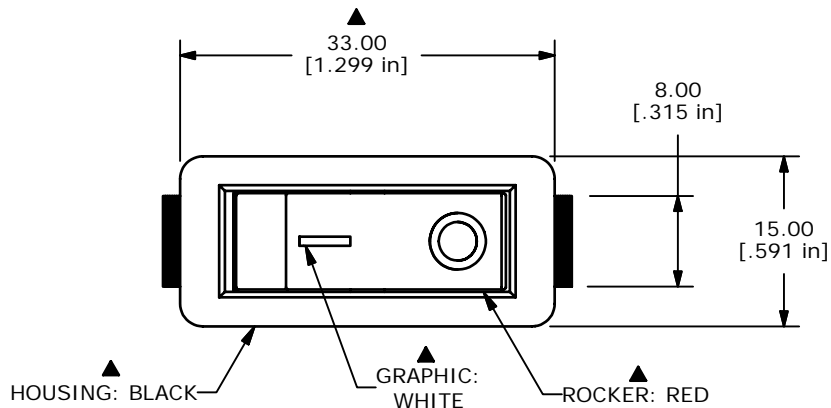
RECOMMENDED PANEL MOUNTING

PANEL THICKNESS	X± 0.05
0.75-1.25	29.65
1.25-2.00	30.15
2.00-3.00	30.50

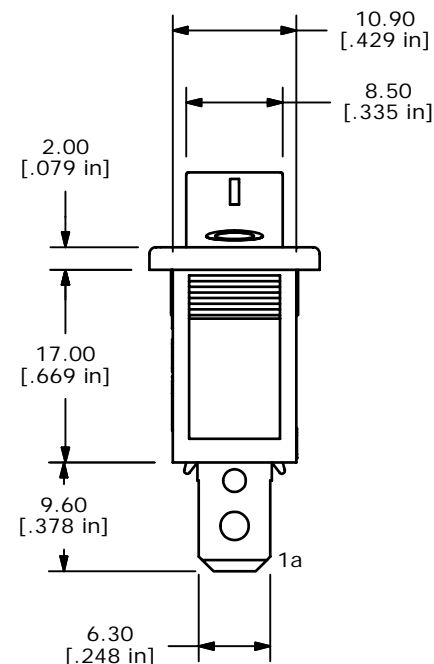
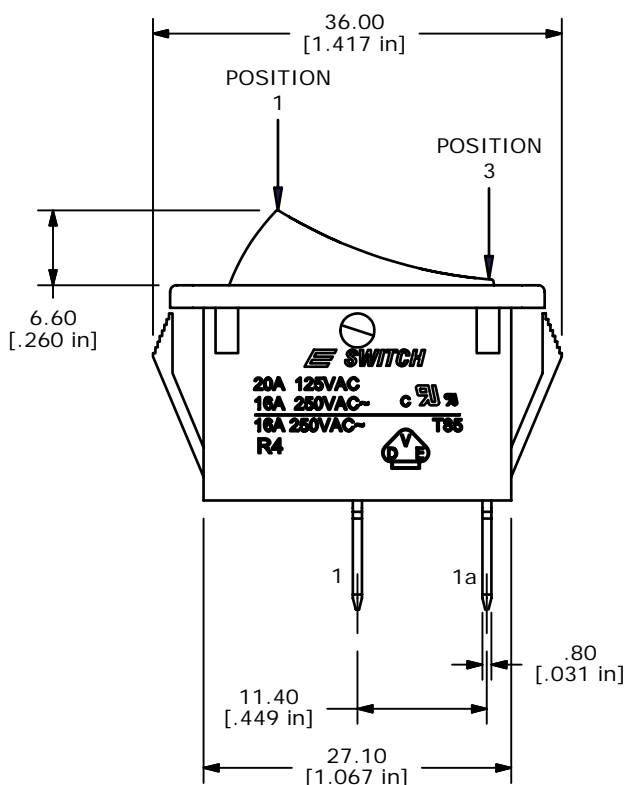
SWITCH FUNCTION		
POS. 1	POS. 2	POS. 3
ON	N/A	OFF
1-1a	NONE	OPEN



- NOTES:
1. ALL DIMENSIONS IN MM [INCH]
 2. GENERAL TOLERANCE: X.X=±0.4
X.XX=±0.25
 3. TERM. NOS. FOR REF. ONLY
 - ▲4. RATING: 20A 125VAC, 16A 250VAC UL APPROVED
16A, 250VAC VDE APPROVED
 5. MECHANICAL LIFE: > 30,000 CYCLES
 6. ELECTRICAL LIFE: < 20mOHMS (INITIAL)
 7. DIELECTRIC STRENGTH: > 1500V 1 min
 8. OPERATING TEMPERATURE: TERMINAL SIDE: -20°C to 85°C
ROCKER SIDE: -20°C to 55°C
 9. FLAMABILITY: UL94 V-2
 10. ▲ DENOTES CRITICAL PARAMETER
 11. 2002/95/EC (ROHS) COMPLIANT



ISOMETRIC



REV	PCR NO	DESCRIPTION	DATE	BY
E	16959	FIXED GRAPHIC ON SWITCH	2/5/07	TN
D	15994	UPDATE NOTES AND DIMS	5/01/06	CT
C	15811	CHANGES NOTED	2/23/06	PH
B	15791	REVISE AND REDRAWN	2/20/06	PH

THE INFORMATION CONTAINED IN THIS DOCUMENT IS PROPRIETARY TO E-SWITCH AND IS NOT TO BE COPIED OR TRANSFERRED



TITLE R4ABLKREDF0

SCALE	DATE	DR	DWG	REV
1:1	2/5/2007	TN	M040100	E