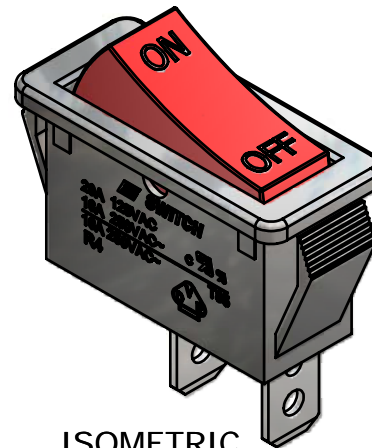
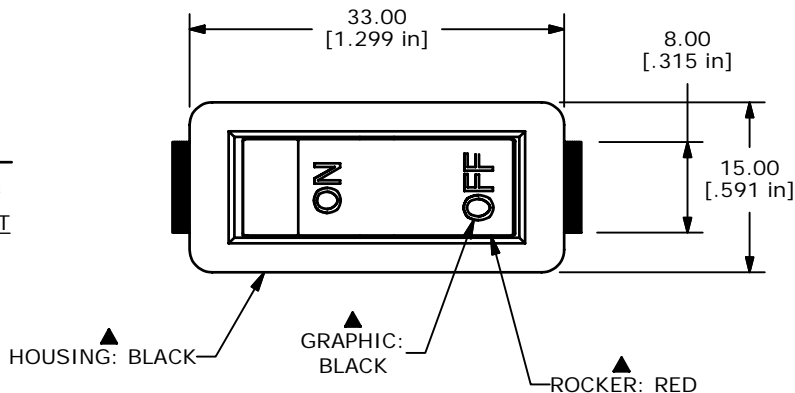
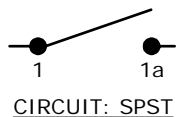


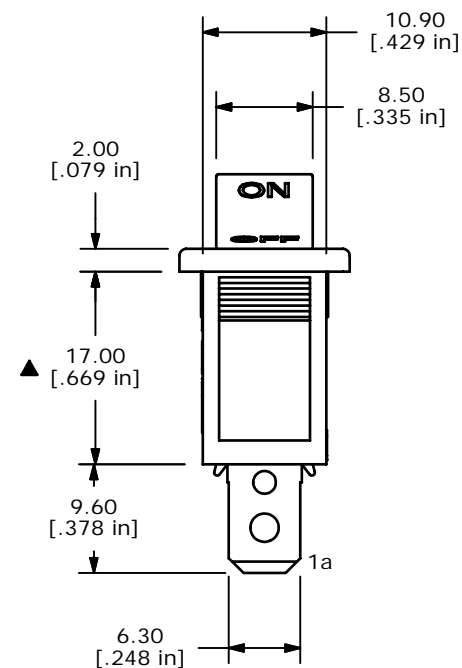
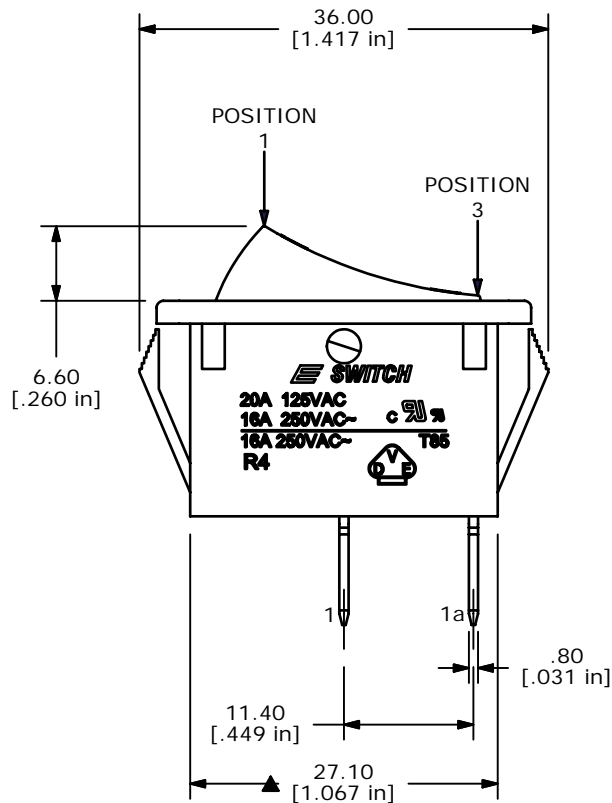
RECOMMENDED PANEL MOUNTING

PANEL THICKNESS	X± 0.05
0.75-1.25	29.6-29.7
1.25-2.00	30.1-30.2
2.00-3.00	30.45-30.55

SWITCH FUNCTION		
POS. 1	POS. 2	POS. 3
ON	NONE	OFF
1-1a	N/A	OPEN



ISOMETRIC



NOTES:

- ALL DIMENSIONS IN MM [INCH]
- GENERAL TOLERANCE: X.X=± 0.4
X.XX=± 0.25
- TERM. NOS. FOR REF. ONLY
- RATING: 20A 125VAC, 10A 250VAC UL APPROVED
16A 250VAC VDE APPROVED
- MECHANICAL LIFE: OVER 30,000 CYCLES
- ELECTRICAL LIFE: OVER 10,000 CYCLES
- DIELECTRIC STRENGTH: > 1500V 1 min
- OPERATING TEMPERATURE: TERMINAL SIDE: -20°C to 85°C
ROCKER SIDE: -20°C to 55°C
- FLAMABILITY: UL94 V-2
- ▲ DENOTES CRITICAL PARAMETER
- 2002/95/EC (ROHS) COMPLIANT

REV	PCR NO	DESCRIPTION	DATE	BY
D	16955	FIXED RATING, NOTES, AND FUNCTION	2/2/07	TN
C	16136	UPDATE DWG TO NEW STANDARDS	6/12/06	CT
B	15880	EDIT RATING, ADD ROHS	3/20/06	PH
A	15396	RELEASED FOR PRODUCTION	10/21/05	PH



TITLE R4ABLKREDIF0

SCALE	DATE	DR	DWG	REV
1:1	2/2/2007	TN	M040144	D

THE INFORMATION CONTAINED IN THIS DOCUMENT IS PROPRIETARY TO E-SWITCH AND IS NOT TO BE COPIED OR TRANSFERRED