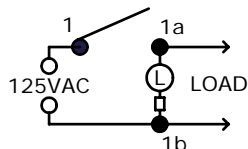
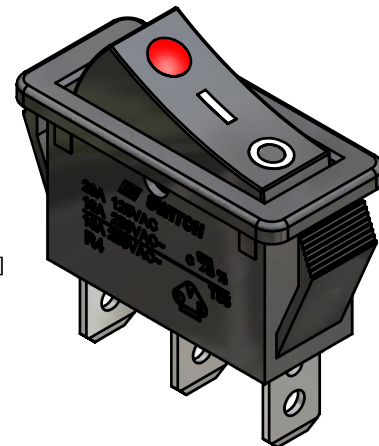
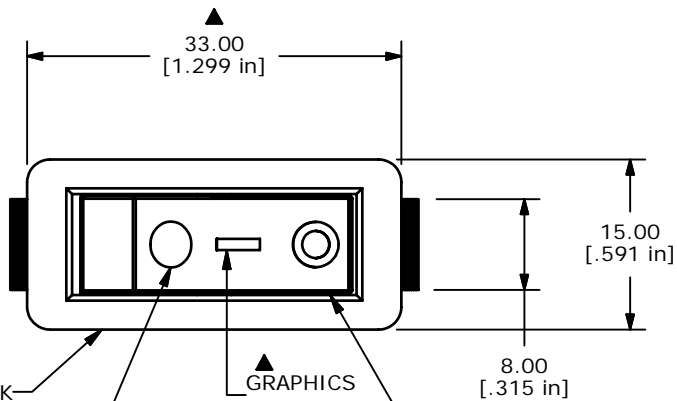


RECOMMENDED PANEL MOUNTING

PANEL THICKNESS	X± 0.05
0.75-1.25	29.65
1.25-2.00	30.15
2.00-3.00	30.50



CURCUIT: SPDT



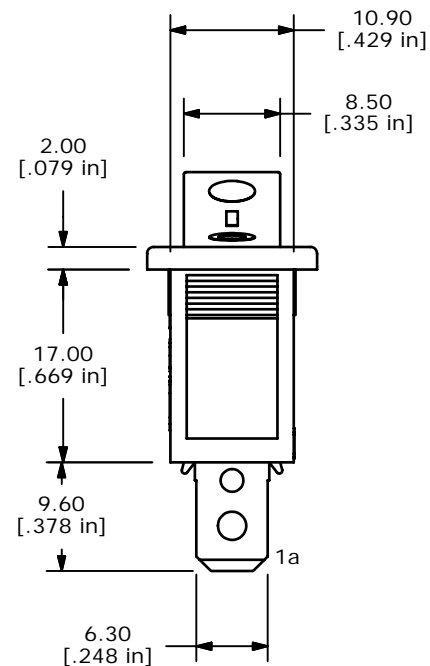
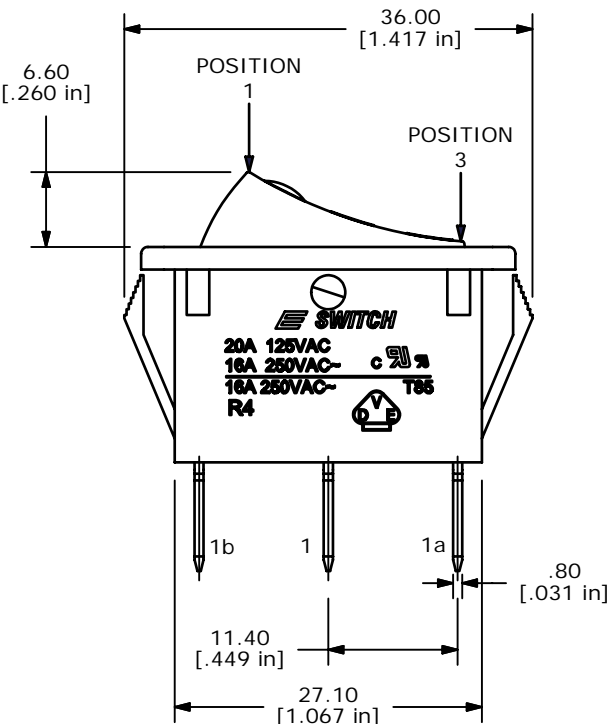
▲HOUSING COLOR: BLACK

▲GRAPHICS WHITE

▲LENS COLOR: GREEN

▲ROCKER COLOR:BLACK▲

SWITCH FUNCTION		
POS. 1	POS. 2	POS. 3
ON	N/A	OFF
1-1a	NONE	OPEN



- NOTES:
- ALL DIMENSIONS IN MM [INCH]
 - GENERAL TOLERANCE: X.X±0.4
X.XX±0.25
 - TERM. NOS. FOR REF. ONLY
 - RATING: 20A 125VAC, 16A 250VAC UL APPROVED
16A 250VAC VDE APPROVED
 - MECHANICAL LIFE: > 30,000 CYCLES
 - ELECTRICAL LIFE: < 20mOHMS (INITIAL)
 - DIELECTRIC STRENGTH: > 1500V 1 min
 - OPERATING TEMPERATURE: TERMINAL SIDE: -20°C to 85°C
ROCKER SIDE: -20°C to 55°C
 - FLAMABILITY: UL94 V-2
 - ▲ 10. LAMP VOLTAGE: 125VAC NEON
 - ▲ 11. ▲ DENOTES CRITICAL PARAMETER.
 - 2002/95/EC (ROHS) COMPLIANT

D	16072	UPTADE TO CURRENT STANDARDS	6/1/06	CT
C	15941	EDIT ROCKER	4/5/06	PH
B	15860	REVISE AND REDRAWN	3/13/06	PH
REV	PCR NO	DESCRIPTION	DATE	BY

THE INFORMATION CONTAINED IN THIS DOCUMENT IS PROPRIETARY TO E-SWITCH AND IS NOT TO BE COPIED OR TRANSFERRED

E-SWITCH®

TITLE R4BBLKBLKGRNFF1

SCALE 1.5:1

DATE 3/13/2006

DR --

DWG M040136

REV D